

■Features

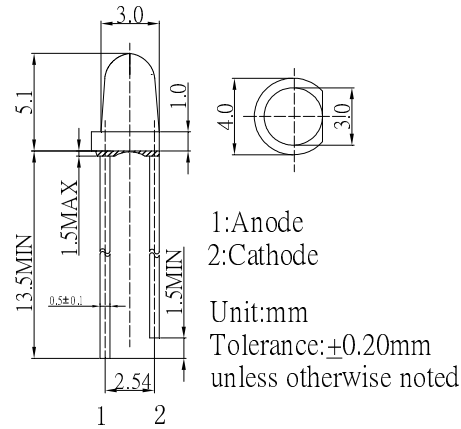
- High Luminous LEDs
- 3mm Bullet Standard Directivity
- Superior Weather-resistance
- UV Resistant Epoxy
- Water Clear /Color Transparent Type

● Everlight: 1224 Serise

■Applications

- Automotive Dashboard Lighting
- Back Lighting
- Other Lighting

■Outline Dimension



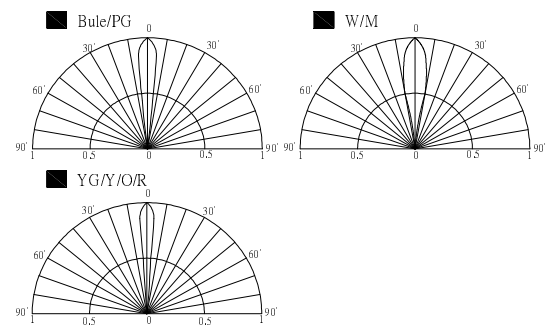
■Absolute Maximum Rating

(Ta=25°C)

Item	Symbol	Value		Unit
		YG/Y/O/R	W/MB/PG	
DC Forward Current	I _F	30	30	mA
Pulse Forward Current*	I _{FP}	100	100	mA
Reverse Voltage	V _R	5	5	V
Power Dissipation	P _D	78	108	mW
Operating Temperature	Topr	-30 ~ +85		°C
Storage Temperature	Tstg	-40 ~ +100		°C
Lead Soldering Temperature	Tsol	260°C / 5sec		-

*Pulse width Max.10ms Duty ratio max 1/10

■Directivity



■Electrical -Optical Characteristics

(Ta=25°C)

Part Number	Color		V _F (V)			I _R (μA)	I _v (mcd)			CCT(K)*			2θ1/2(deg)
			Min.	Typ.	Max.	Max.	Min.	Typ.	Max.	Min.	Typ.	Max.	Typ.
			I _F =20mA			V _R =5V		I _F =20mA					
OSW6DK3221E	Cool White	W	2.8	3.1	3.6	10	8400	10000	-	13000-35000K(X:0.25,Y:0.26)			20
OSW64K3221E	Cool White	W	2.7	3.0	3.6	10	12000	14400	-	13000-35000K(X:0.25,Y:0.26)			20
OSW5DK3221E	Cool White	W	2.8	3.1	3.6	10	8400	10000	-	8500-18000K(X:0.27,Y:0.28)			20
OSW54K3221E	Cool White	W	2.7	3.0	3.6	10	12000	14400	-	8500-18000K(X:0.27,Y:0.28)			20
OSW4DK3221E	White	W	2.8	3.1	3.6	10	8400	10000	-	5500-8500K(X:0.31,Y:0.33)			20
OSW44K3221E	White	W	2.7	3.0	3.6	10	12000	14400	-	5500-8500K(X:0.31,Y:0.33)			20
OSM5DK3221E	Warm White	M	2.8	3.1	3.6	10	8400	10000	-	2700-3200K(X:0.44,Y:0.41)			20
OSM54K3221E	Warm White	M	2.7	3.0	3.6	10	12000	14400	-	2700-3300K(X:0.44,Y:0.41)			20
OSM6DK3221E	Warm White	M	2.8	3.1	3.6	10	8400	10000	-	2900-3800K(X:0.42,Y:0.40)			20
OSM64K3221E	Warm White	M	2.7	3.0	3.6	10	12000	14400	-	2900-3800K(X:0.42,Y:0.40)			20

*1 Tolerance of measurements of chromaticity coordinate is ±10%

*2 Tolerance of measurements of luminous intensity is ±15%

*3 Tolerance of measurements of forward voltage is ±0.1V

■ Electrical -Optical Characteristics (Ta=25°C)

Part Number	Color			V _F (V)			I _R (μA)	I _v (mcd)			Wd(nm)*			2θ1/2(deg)
				Min.	Typ.	Max.	Max.	Min.	Typ.	Max.	Min.	Typ.	Max.	Typ.
				I _F =20mA			V _R =5V			I _F =20mA				
OSB5SA3211E	Blue	B	■	2.8	3.1	3.6	10	3000	4200	-	465	470	475	15
OSG5DA3211E	Pure Green	PG	■	2.8	3.1	3.6	10	18000	22000	-	520	525	530	15
OSG8NU3201E	Yellow Green	YG	■	1.8	2.1	2.6	10	1120	1560	-	565	570	575	8
OSY5LU3201E	Yellow	Y	■	1.8	2.1	2.6	10	3000	4200	-	585	590	595	8
OSY5JA3201E	Yellow	Y	■	1.8	2.1	2.6	10	7000	8400	-	585	590	595	8
OSY5RU3201E	Yellow	Y	■	1.8	2.1	2.6	10	8400	10000	-	585	590	595	8
OSO5JA3201E	Orange	O	■	1.8	2.1	2.6	10	5800	7000	-	600	605	610	8
OSR5JA3201E	Red	R	■	1.8	2.1	2.6	10	7000	8400	-	620	625	630	8
OSR5RU3201E	Red	R	■	1.8	2.1	2.6	10	8400	10000	-	620	625	630	8
OSR6LU3201E	Red	R	■	1.8	2.1	2.6	10	2180	3000	-	630	640	650	8
OSB5SA3213E	Blue	B	■	2.8	3.1	3.6	10	3000	4200	-	465	470	475	15
OSG5DA3213E	Pure Green	PG	■	2.8	3.1	3.6	10	22000	25000	-	520	525	530	15
OSG8NU3203E	Yellow Green	YG	■	1.8	2.1	2.6	10	1120	1560	-	565	570	575	8
OSY5LU3203E	Yellow	Y	■	1.8	2.1	2.6	10	3000	4200	-	585	590	595	8
OSY5JA3203E	Yellow	Y	■	1.8	2.1	2.6	10	7000	8400	-	585	590	595	8
OSY5RU3203E	Yellow	Y	■	1.8	2.1	2.6	10	8400	10000	-	585	590	595	8
OSO5JA3203E	Orange	O	■	1.8	2.1	2.6	10	5800	7000	-	600	605	610	8
OSR5JA3203E	Red	R	■	1.8	2.1	2.6	10	7000	8400	-	620	625	630	8
OSR5RU3203E	Red	R	■	1.8	2.1	2.6	10	8400	10000	-	620	625	630	8
OSR6LU3203E	Red	R	■	1.8	2.1	2.6	10	2180	3000	-	630	640	650	8

*1 Tolerance of measurements of dominant wavelength is ±1nm

*2 Tolerance of measurements of luminous intensity is ±15%

*3 Tolerance of measurements of forward voltage is ±0.1V