

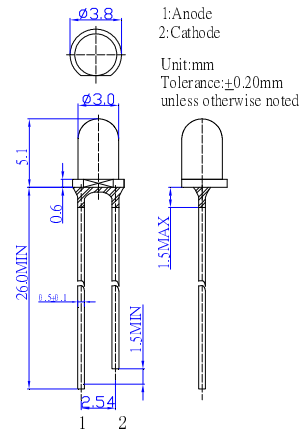
■ Features

- High Luminous LEDs
- 3mm Round Standard Directivity
- Superior Weather-resistance
- UV Resistant Epoxy
- Color Diffused Type
- **Everlight :1254 Series**

■ Applications

- Electronic Signs And Signals
- Small Area Illuminations
- Back Lighting
- Other Lighting

■ Outline Dimension

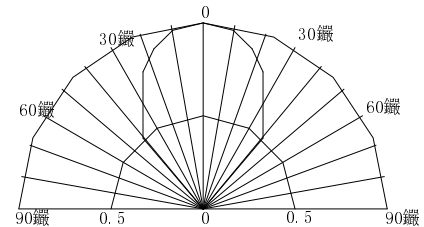


■ Absolute Maximum Rating (Ta=25°C)

Item	Symbol	Value		Unit
		YG/Y/O/R	B/PG	
DC Forward Current	I _F	30	30	mA
Pulse Forward Current*	I _{FP}	100	100	mA
Reverse Voltage	V _R	5	5	V
Power Dissipation	P _D	78	108	mW
Operating Temperature	Topr	-30 ~ +85		°C
Storage Temperature	Tstg	-40 ~ +100		°C
Lead Soldering Temperature	Tsol	260°C/5sec		-

*Pulse width Max.10ms Duty ratio max 1/10

■ Directivity



■ Electrical -Optical Characteristics (Ta=25°C)

Part Number	Color		V _F (V)			I _R (μA)	I _v (mcd)			W _d (nm)*			2θ1/2(deg)
			Min.	Typ.	Max.	Max.	Min.	Typ.	Max.	Min.	Typ.	Max.	Typ.
			I _F =20mA			V _R =5V	I _F =20mA						
OSB5SA3L74A	Blue	B	2.8	3.1	3.6	10	330	500	-	465	470	475	70
OSG5DA3L74A	Pure Green	PG	2.8	3.1	3.6	10	1120	1560	-	520	525	530	70
OSG8NU3L74A	Yellow Green	YG	1.8	2.1	2.6	10	45	68	-	565	570	575	70
OSY5LU3L74A	Yellow	Y	1.8	2.1	2.6	10	150	220	-	585	590	595	70
OSY5JA3L74A	Yellow	Y	1.8	2.1	2.6	10	220	330	-	585	590	595	70
OSY5RU3L74A	Yellow	Y	1.8	2.1	2.6	10	330	500	-	585	590	595	70
OSO5JA3L74A	Orange	O	1.8	2.1	2.6	10	220	330	-	600	605	610	70
OSR5JA3L74A	Red	R	1.8	2.1	2.6	10	220	330	-	620	625	630	70
OSR5RU3L74A	Red	R	1.8	2.1	2.6	10	330	500	-	620	625	630	70
OSR6LU3L74A	Red	R	1.8	2.1	2.6	10	68	100	-	630	640	650	70

*1 Tolerance of measurements of dominant wavelength is ±1nm

*2 Tolerance of measurements of luminous intensity is ±15%

*3 Tolerance of measurements of forward voltage is ±0.1V