

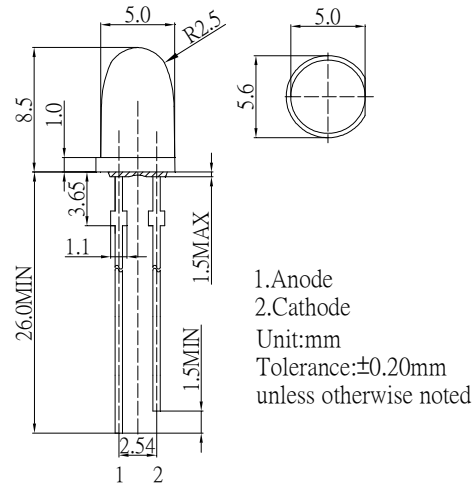
■ Features

- High Luminous LEDs
- 5mm Bullet Standard Directivity
- Long Lifetime Operation
- Superior Weather-resistance
- UV Resistant Epoxy
- Water Clear Type
- Nichia: 500DS Serie

■ Applications

- Electronic Signs And Signals
- Small Area Illuminations
- Back Lighting
- Other Lighting

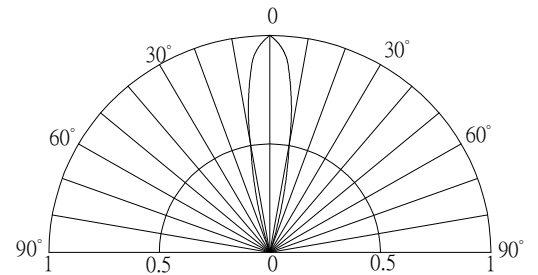
■ Outline Dimension



■ Absolute Maximum Rating (Ta=25°C)

Item	Symbol	Value	Unit
		W/M	
DC Forward Current	I _F	30	mA
Pulse Forward Current*	I _{FP}	100	mA
Reverse Voltage	V _R	5	V
Power Dissipation	P _D	108	mW
Operating Temperature	Topr	-30 ~ +85	°C
Storage Temperature	Tstg	-40 ~ +100	°C
Lead Soldering Temperature	Tsol	260°C/5sec	-

■ Directivity



*Pulse width Max 10ms , Duty ratio max 1/10

■ Electrical -Optical Characteristics (Ta=25°C)

Part Number	Color		V _F (V)			I _R (μA)	I _v (mcd)			CCT(K)			2θ1/2(deg)
			Min.	Typ.	Max.	Max.	Min.	Typ.	Max.	Min.	Typ.	Max.	Typ.
			I _F =20mA			V _R =5V	I _F =20mA						
OSW4DK5221C	White	W	2.8	3.1	3.6	10	14400	18000	-	5500-8500K(X:0.31,Y:0.33)			20
OSW44K5221C	White	W	2.7	2.9	3.6	10	22000	25000	-	5500-8500K(X:0.31,Y:0.33)			20
OSM5DK5221C	Warm White	M	2.8	3.1	3.6	10	12000	14400	-	2700-3200K(X:0.45,Y:0.41)			20
OSM54K5221C	Warm White	M	2.7	2.9	3.6	10	18000	22000	-	2700-3200K(X:0.45,Y:0.41)			20
OSM6DK5221C	Warm White	M	2.8	3.1	3.6	10	14400	18000	-	2900-3800K(X:0.41,Y:0.39)			20
OSM64K5221C	Warm White	M	2.7	2.9	3.6	10	22000	25000	-	2900-3800K(X:0.41,Y:0.39)			20

*1 Tolerance of measurements of chromaticity coordinates ±10%

*2 Tolerance of measurements of luminous intensity is ±15%

*3 Tolerance of measurements of forward voltage is ±0.1V

LED & Application Technologies

