

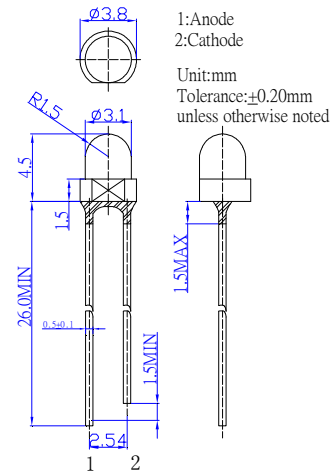
■ Features

- High Luminous LEDs
- 3.1mm Round Standard Directivity
- Superior Weather-resistance
- UV Resistant Epoxy
- Color Transparent Type/ Color Diffused Type
- **Rohm: 332 Series / Stanley: 3371X Series**

■ Applications

- Electronic Signs And Signals
- Small Area Illuminations
- Back Lighting
- Other Lighting

■ Outline Dimension

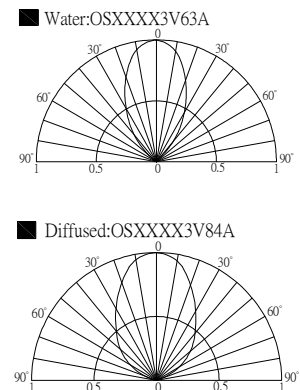


■ Absolute Maximum Rating

(Ta=25°C)

Item	Symbol	Value	Unit
		YG/Y/O/R	
DC Forward Current	I _F	30	mA
Pulse Forward Current*	I _{FP}	100	mA
Reverse Voltage	V _R	5	V
Power Dissipation	P _D	78	mW
Operating Temperature	Topr	-30 ~ +85	°C
Storage Temperature	Tstg	-40 ~ +100	°C
Lead Soldering Temperature	Tsol	260°C/5sec	-

■ Directivity



*Pulse width Max.10ms Duty ratio max 1/10

■ Electrical -Optical Characteristics

(Ta=25°C)

Part Number	Color		V _F (V)			I _R (μA)	I _v (mcd)			W _d (nm)*			2θ1/2(deg)
			Min.	Typ.	Max.		Max.	Min.	Typ.	Max.	Min.	Typ.	
			I _F =20mA			V _R =5V		I _F =20mA					
OSG8NU3V63A	Yellow Green	YG	1.8	2.1	2.6	10	100	150	-	565	570	575	60
OSY5LU3V63A	Yellow	Y	1.8	2.1	2.6	10	220	330	-	585	590	595	60
OSO5JA3V63A	Orange	O	1.8	2.1	2.6	10	330	500	-	600	605	610	60
OSR5JA3V63A	Red	R	1.8	2.1	2.6	10	330	500	-	620	625	630	60
OSR6LU3V63A	Red	R	1.8	2.1	2.6	10	220	330	-	630	640	650	60
OSG8NU3V84A	Yellow Green	YG	1.8	2.1	2.6	10	45	68	-	565	570	575	80
OSY5LU3V84A	Yellow	Y	1.8	2.1	2.6	10	100	150	-	585	590	595	80
OSO5JA3V84A	Orange	O	1.8	2.1	2.6	10	150	220	-	600	605	610	80
OSR5JA3V84A	Red	R	1.8	2.1	2.6	10	150	220	-	620	625	630	80
OSR6LU3V84A	Red	R	1.8	2.1	2.6	10	68	100	-	630	640	650	80

*1 Tolerance of measurements of dominant wavelength is ±1nm

*2 Tolerance of measurements of luminous intensity is ±15%

*3 Tolerance of measurements of forward voltage is ±0.1V