

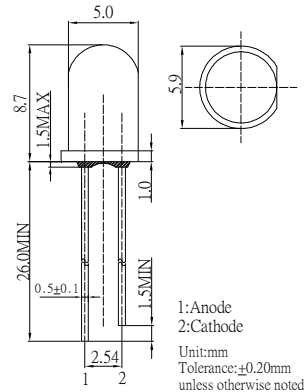
### ■ Features

- High Luminous LEDs
- 5mm Round Standard Directivity
- Superior Weather-resistance
- UV Resistant Epoxy
- Color Transparent Type / Color Diffused Type
- **Rohm:56Series**

### ■ Applications

- Electronic Signs And Signals
- Small Area Illuminations
- Back Lighting/ Other Lighting

### ■ Outline Dimension

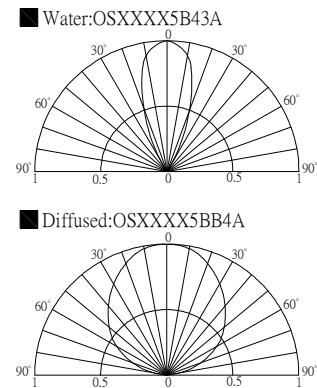


### ■ Absolute Maximum Rating (Ta=25°C)

Item	Symbol	Value	Unit
		YG/Y/O/R	
DC Forward Current	I <sub>F</sub>	30	mA
Pulse Forward Current*	I <sub>FP</sub>	100	mA
Reverse Voltage	V <sub>R</sub>	5	V
Power Dissipation	P <sub>D</sub>	78	mW
Operating Temperature	Topr	-30 ~ +85	°C
Storage Temperature	Tstg	-40 ~ +100	°C
Lead Soldering Temperature	Tsol	260°C/5sec	-

\*Pulse width Max.10ms Duty ratio max 1/10

### ■ Directivity



### ■ Electrical -Optical Characteristics (Ta=25°C)

Part Number	Color		V <sub>F</sub> (V)			I <sub>R</sub> (μA)	I <sub>v</sub> (mcd)			W <sub>d</sub> (nm)*			2θ1/2(deg)
			Min.	Typ.	Max.	Max.	Min.	Typ.	Max.	Min.	Typ.	Max.	Typ.
			I <sub>F</sub> =20mA			V <sub>R</sub> =5V		I <sub>F</sub> =20mA					
OSG8NU5B43A	Yellow Green	YG	1.8	2.1	2.6	10	330	500	-	565	570	575	40
OSY5LU5B43A	Yellow	Y	1.8	2.1	2.6	10	750	1120	-	585	590	595	40
OSY5JA5B43A	Yellow	Y	1.8	2.1	2.6	10	1120	1560	-	585	590	595	40
OSO5JA5B43A	Orange	O	1.8	2.1	2.6	10	1560	2180	-	600	605	610	40
OSR5JA5B43A	Red	R	1.8	2.1	2.6	10	1120	1560	-	620	625	630	40
OSR6LU5B43A	Red	R	1.8	2.1	2.6	10	330	500	-	630	640	650	40
OSG8NU5BB4A	Yellow Green	YG	1.8	2.1	2.6	10	30	45	-	565	570	575	110
OSY5LU5BB4A	Yellow	Y	1.8	2.1	2.6	10	68	100	-	585	590	595	110
OSY5JA5BB4A	Yellow	Y	1.8	2.1	2.6	10	100	150	-	585	590	595	110
OSO5JA5BB4A	Orange	O	1.8	2.1	2.6	10	100	150	-	600	605	610	110
OSR5JA5BB4A	Red	R	1.8	2.1	2.6	10	100	150	-	620	625	630	110
OSR6LU5BB4A	Red	R	1.8	2.1	2.6	10	45	68	-	630	640	650	110

\*1 Tolerance of measurements of dominant wavelength is ±1nm

\*2 Tolerance of measurements of luminous intensity is ±15%

\*3 Tolerance of measurements of forward voltage is ±0.1V

LED & Application Technologies

