

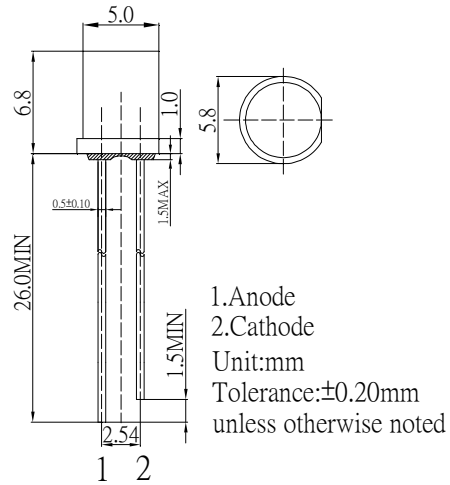
### ■ Features

- High Luminous LEDs
- 5mm Flat Standard Directivity
- Superior Weather-resistance
- UV Resistant Epoxy
- Color Diffused Type
- **Stanley: 5385 Series**

### ■ Applications

- Electronic Signs And Signals
- Small Area Illuminations
- Back Lighting
- Other Lighting

### ■ Outline Dimension

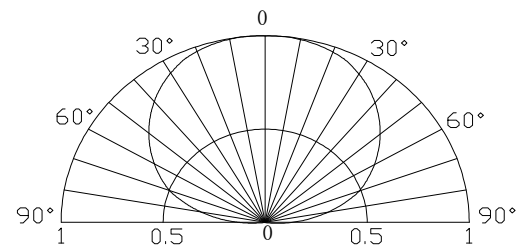


### ■ Absolute Maximum Rating

(Ta=25°C)

Item	Symbol	Value		Unit
		YG/Y/O/R		
DC Forward Current	I <sub>F</sub>	30		mA
Pulse Forward Current*	I <sub>FP</sub>	100		mA
Reverse Voltage	V <sub>R</sub>	5		V
Power Dissipation	P <sub>D</sub>	78		mW
Operating Temperature	Topr	-30 ~ +85		°C
Storage Temperature	Tstg	-40~ +100		°C
Lead Soldering Temperature	Tsol	260°C/5sec		-

### ■ Directivity



\*Pulse width Max.10ms Duty ratio max 1/10

### ■ Electrical -Optical Characteristics

(Ta=25°C)

Part Number	Color			V <sub>F</sub> (V)			I <sub>R</sub> (μA)	I <sub>v</sub> (mcd)			W <sub>d</sub> (nm)*			2θ1/2(deg)
				Min.	Typ.	Max.	Max.	Min.	Typ.	Max.	Min.	Typ.	Max.	Typ.
				I <sub>F</sub> =20mA			V <sub>R</sub> =5V	I <sub>F</sub> =20mA						
OSG8NU5SE4A	Yellow Green	YG	■	1.8	2.1	2.6	10	20	30	-	565	570	575	140
OSY5LU5SE4A	Yellow	Y	■	1.8	2.1	2.6	10	30	45	-	585	590	595	140
OSY5JA5SE4A	Yellow	Y	■	1.8	2.1	2.6	10	45	68	-	585	590	595	140
OSO5JA5SE4A	Orange	O	■	1.8	2.1	2.6	10	68	100	-	600	605	610	140
OSR5JA5SE4A	Red	R	■	1.8	2.1	2.6	10	45	68	-	620	625	630	140
OSR6LU5SE4A	Red	R	■	1.8	2.1	2.6	10	30	45	-	630	640	650	140

\*1 Tolerance of measurements of dominant wavelength is ±1nm

\*2 Tolerance of measurements of luminous intensity is ±15%

\*3 Tolerance of measurements of forward voltage is ±0.1V