

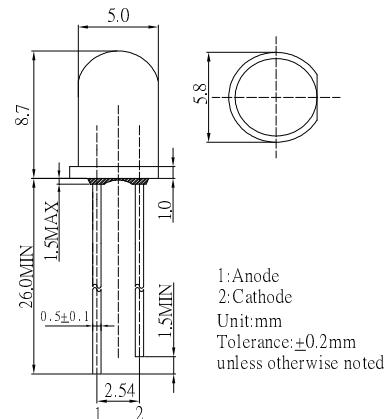
■ Features

- High Luminous LEDs
- 5mm Round Standard Directivity
- Superior Weather-resistance
- UV Resistant Epoxy
- Water Clear Type
- **Cree:C512A Series**

■ Applications

- Electronic Signs And Signals
- Small Area Illuminations
- Back Lighting/ Other Lighting

■ Outline Dimension

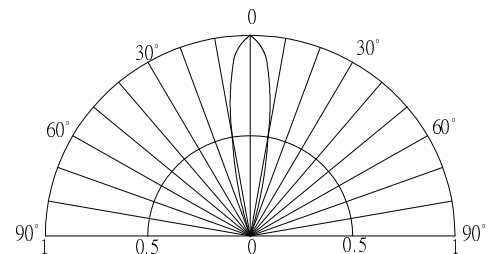


■ Absolute Maximum Rating

(Ta=25°C)

Item	Symbol	Value	Unit
		W/M	
DC Forward Current	I _F	30	mA
Pulse Forward Current*	I _{FP}	100	mA
Reverse Voltage	V _R	5	V
Power Dissipation	P _D	108	mW
Operating Temperature	Topr	-30 ~ +85	°C
Storage Temperature	Tstg	-40~ +100	°C
Lead Soldering Temperature	Tsol	260°C/5sec	-

■ Directivity



*Pulse width Max.10ms Duty ratio max 1/10

■ Electrical -Optical Characteristics

(Ta=25°C)

Part Number	Color		V _F (V)			I _R (μA)	I _v (mcd)			CCT(K)*			2θ1/2(deg)
			Min.	Typ.	Max.	Max.	Min.	Typ.	Max.	Min.	Typ.	Max.	Typ.
			I _F =20mA			V _R =5V		I _F =20mA					
OSW6DK5A21A	Cool White	W	2.8	3.1	3.6	10	14400	18000	-	13000-35000K(X:0.25,Y:0.26)			20
OSW64K5 A21A	Cool White	W	2.7	3.0	3.6	10	18000	22000	-	13000-35000K(X:0.25,Y:0.26)			20
OSW5DK5 A21A	Cool White	W	2.8	3.1	3.6	10	18000	22000	-	8500-18000K(X:0.27,Y:0.28)			20
OSW54K5 A21A	Cool White	W	2.7	3.0	3.6	10	22000	25000	-	8500-18000K(X:0.27,Y:0.28)			20
OSW4DK5 A21A	White	W	2.8	3.1	3.6	10	18000	22000	-	5500-8500K(X:0.31,Y:0.33)			20
OSW44K5 A21A	White	W	2.7	3.0	3.6	10	22000	25000	-	5500-8500K(X:0.31,Y:0.33)			20
OSM5DK5 A21A	Warm White	M	2.8	3.1	3.6	10	14400	18000	-	2700-3200K(X:0.44,Y:0.41)			20
OSM54K5 A21A	Warm White	M	2.7	3.0	3.6	10	18000	22000	-	2700-3300K(X:0.44,Y:0.41)			20
OSM6DK5 A21A	Warm White	M	2.8	3.1	3.6	10	18000	22000	-	2900-3800K(X:0.42,Y:0.40)			20
OSM64K5 A21A	Warm White	M	2.7	3.0	3.6	10	22000	25000	-	2900-3800K(X:0.42,Y:0.40)			20

*1 Tolerance of measurements of chromaticity coordinate is ±10%

*2 Tolerance of measurements of luminous intensity is ±15%

*3 Tolerance of measurements of forward voltage is ±0.1V