

■ Features

- High Luminous LEDs
- 5mm Round Standard Directivity
- Superior Weather-resistance
- UV Resistant Epoxy
- Water Clear Type
- **Cree:C513A Series**

■ Applications

- Electronic Signs And Signals
- Small Area Illuminations
- Back Lighting/ Other Lighting

■ Absolute Maximum Rating

(Ta=25°C)

Item	Symbol	Value	Unit
		W/M	
DC Forward Current	I _F	30	mA
Pulse Forward Current*	I _{FP}	100	mA
Reverse Voltage	V _R	5	V
Power Dissipation	P _D	108	mW
Operating Temperature	Topr	-30 ~ +85	°C
Storage Temperature	Tstg	-40~ +100	°C
Lead Soldering Temperature	Tsol	260°C/5sec	-

*Pulse width Max.10ms Duty ratio max 1/10

■ Electrical -Optical Characteristics

(Ta=25°C)

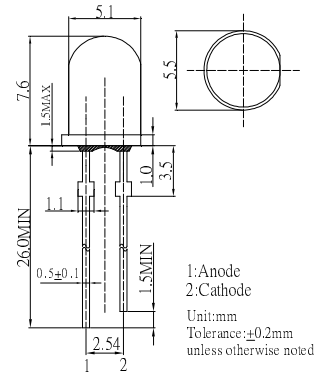
Part Number	Color		V _F (V)			I _R (μA)	I _v (mcd)			CCT(K)*			2θ1/2(deg)
			Min.	Typ.	Max.	Max.	Min.	Typ.	Max.	Min.	Typ.	Max.	Typ.
			I _F =20mA			V _R =5V		I _F =20mA					
OSW6DK5L61C	Cool White	W	2.8	3.1	3.6	10	2180	3000	-	13000-35000K(X:0.25,Y:0.26)			60
OSW64K5 L61C	Cool White	W	2.7	3.0	3.6	10	3000	4200	-	13000-35000K(X:0.25,Y:0.26)			60
OSW5DK5 L61C	Cool White	W	2.8	3.1	3.6	10	3000	4200	-	8500-18000K(X:0.27,Y:0.28)			60
OSW54K5 L61C	Cool White	W	2.7	3.0	3.6	10	4200	5800	-	8500-18000K(X:0.27,Y:0.28)			60
OSW4DK5 L61C	White	W	2.8	3.1	3.6	10	3000	4200	-	5500-8500K(X:0.31,Y:0.33)			60
OSW44K5 L61C	White	W	2.7	3.0	3.6	10	4200	5800	-	5500-8500K(X:0.31,Y:0.33)			60
OSM5DK5 L61C	Warm White	M	2.8	3.1	3.6	10	3000	4200	-	2700-3200K(X:0.44,Y:0.41)			60
OSM54K5 L61C	Warm White	M	2.7	3.0	3.6	10	4200	5800	-	2700-3300K(X:0.44,Y:0.41)			60
OSM6DK5 L61C	Warm White	M	2.8	3.1	3.6	10	3000	4200	-	2900-3800K(X:0.42,Y:0.40)			60
OSM64K5 L61C	Warm White	M	2.7	3.0	3.6	10	4200	5800	-	2900-3800K(X:0.42,Y:0.40)			60

*1 Tolerance of measurements of chromaticity coordinate is ±10%

*2 Tolerance of measurements of luminous intensity is ±15%

*3 Tolerance of measurements of forward voltage is±0.1V

■ Outline Dimension



■ Directivity

