

■ Features

- High Luminous Super Flux Output
- 4 ϕ Concave Oval Standard Directivity
- Long Lifetime Operation
- Low Thermal Resistance
- Superior Weather-Resistance
- UV Resistant Epoxy
- Water Clear Type

Cree:CP42B Series

■ Applications

- Traffic signal, portable light source
- Automotive lighting
- Decoration and entertainment lighting
- Architectural lighting
- Other Lighting

■ Absolute Maximum Rating




(Ta=25°C)

Item	Symbol	Value	Unit
		Y/O/R	
DC Forward Current	I _F	70	mA
Pulse Forward Current*	I _{FP}	120	mA
Reverse Voltage	V _R	5	V
Power Dissipation	P _D	182	mW
Operating Temperature	Topr	-30 ~ +85	°C
Storage Temperature	Tstg	-40 ~ +100	°C
Lead Soldering Temperature	Tsol	260 °C/5sec	-

*Pulse width Max.10ms Duty ratio max 1/10

■ Electrical -Optical Characteristics

(Ta=25°C)

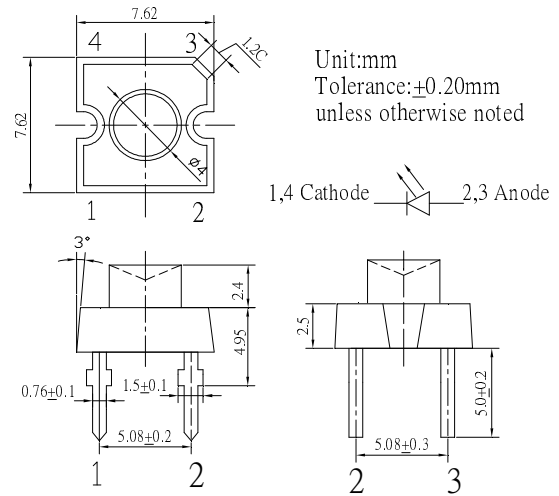
Part Number	Color			V _F (V)			I _R (μ A)	I _v (mcd)*			λ D(nm)*			2 θ 1/2(deg)
				Min.	Typ.	Max.	Max.	Min.	Typ.	Max.	Min.	Typ.	Max.	Typ.
				I _F =70mA			V _R =5V	I _F =70mA						
OS6YKAZJC1D	Golden	Y		1.8	2.3	2.6	10	2180	3000	-	590	594	597	120
OS6OKAZJC1D	Salmon Pink	O		1.8	2.3	2.6	10	2180	3000	-	606	610	616	120
OS5RKAZJC1D	Red	R		1.8	2.3	2.6	10	2180	3000	-	620	625	630	120

*1 Tolerance of measurements of dominant wavelength is ± 1 nm

*2 Tolerance of measurements of luminous intensity is ± 15 %

*3 Tolerance of measurements of forward voltage is ± 0.1 V

■ Outline Dimension



■ Directivity

