

### ■Features

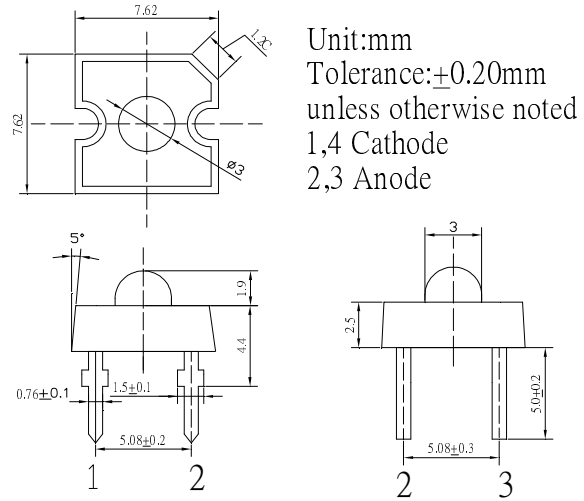
- High Luminous Super Flux Output
- 3 ∅ Standard Directivity
- Superior Weather-resistance
- UV Resistant Epoxy
- Water Clear Type

Cree: CP41A Series

### ■Applications

- Traffic Signal
- Backlighting
- Signal and channel letter
- Other Lighting

### ■Outline Dimension

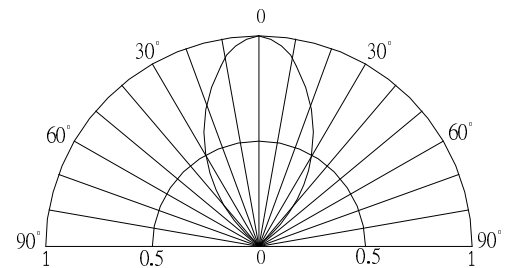


### ■Absolute Maximum Rating

(Ta=25°C)

Item	Symbol	Value	Unit
		Y/O/R	
DC Forward Current	I <sub>F</sub>	70	mA
Pulse Forward Current*	I <sub>FP</sub>	120	mA
Reverse Voltage	V <sub>R</sub>	5	V
Power Dissipation	P <sub>D</sub>	182	mW
Operating Temperature	T <sub>opr</sub>	-30 ~ +85	°C
Storage Temperature	T <sub>stg</sub>	-40 ~ +100	°C
Lead Soldering Temperature	T <sub>sol</sub>	260°C/5sec	-

### ■Directivity



\*Pulse width Max.10ms Duty ratio max 1/10

### ■Electrical -Optical Characteristics

(Ta=25°C)

Part Number	Color			V <sub>F</sub> (V)			I <sub>R</sub> (μA)	I <sub>v</sub> (mcd)*			λD(nm)*			2θ1/2(deg)
				Min.	Typ.	Max.	Max.	Min.	Typ.	Max.	Min.	Typ.	Max.	Typ.
				I <sub>F</sub> =70mA			V <sub>R</sub> =5V			I <sub>F</sub> =70mA				
OS6YKAZ161D	Golden	Y		1.8	2.3	2.6	10	8400	10000	-	590	594	597	60
OS6OKAZ161D	Salmon Pink	O		1.8	2.3	2.6	10	8400	10000	-	606	610	616	60
OS5RKAZ161D	Red	R		1.8	2.3	2.6	10	8400	10000	-	620	625	630	60

\*1 Tolerance of measurements of dominant wavelength is ±1nm

\*2 Tolerance of measurements of luminous intensity is ±15%

\*3 Tolerance of measurements of forward voltage is±0.1V

LED & Application Technologies

