

■Features

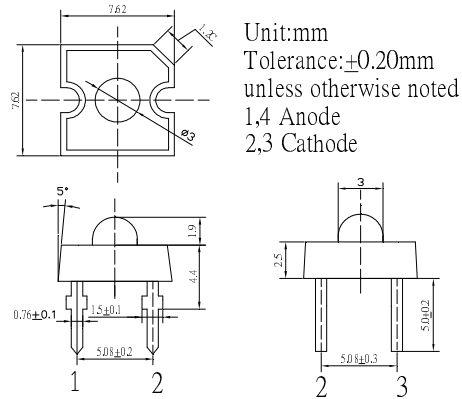
- High Luminous Super Flux Output
- 3 ∅ Standard Directivity
- Superior Weather-resistance
- UV Resistant Epoxy
- Water Clear Type

Cree: CP41B Series

■Applications

- Traffic Signal
- Backlighting
- Signal and channel letter
- Other Lighting

■Outline Dimension

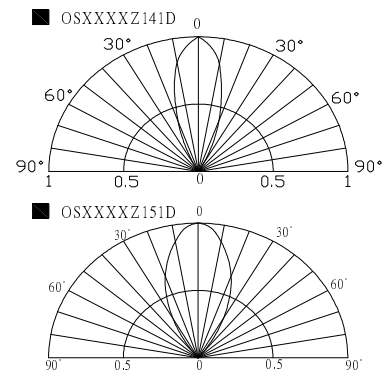


■Absolute Maximum Rating

(Ta=25°C)

Item	Symbol	Value		Unit
		DL	4L	
DC Forward Current	I _F	30	50	mA
Pulse Forward Current*	I _{FP}	100	100	mA
Reverse Voltage	V _R	5	5	V
Power Dissipation	P _D	108	180	mW
Operating Temperature	T _{opr}	-30 ~ +85		°C
Storage Temperature	T _{stg}	-40 ~ +100		°C
Lead Soldering Temperature	T _{sol}	260°C/5sec		-

■Directivity



*Pulse width Max.10ms Duty ratio max 1/10

■Electrical -Optical Characteristics

(Ta=25°C)

Part Number	Color		V _F (V)			I _R (μA)	I _v (mcd)			CCT(K)*			2θ1/2(deg)
			Min.	Typ.	Max.	Max.	Min.	Typ.	Max.	Min.	Typ.	Max.	Typ.
			I _F =30mA			V _R =5V		I _F =30mA					
OSW6DLZ141D	Cool White	W	2.9	3.4	3.6	10	8400	10000	-	13000-35000K(X:0.25,Y:0.26)			35
OSW64LZ151D	Cool White	W	2.8	3.0	3.6	10	10000	12000	-	13000-35000K(X:0.25,Y:0.26)			50
OSW5DLZ141D	Cool White	W	2.9	3.4	3.6	10	8400	10000	-	8500-18000K(X:0.27,Y:0.28)			35
OSW54 LZ151D	Cool White	W	2.8	3.0	3.6	10	10000	12000	-	8500-18000K(X:0.27,Y:0.28)			50
OSW4DLZ141D	White	W	2.9	3.4	3.6	10	10000	12000	-	5500-8500K(X:0.31,Y:0.33)			35
OSW44 LZ151D	White	W	2.8	3.0	3.6	10	10000	12000	-	5500-8500K(X:0.31,Y:0.33)			50
OSM5DLZ141D	Warm White	M	2.9	3.4	3.6	10	8400	10000	-	2700-3200K(X:0.44,Y:0.41)			35
OSM54 LZ151D	Warm White	M	2.8	3.0	3.6	10	10000	12000	-	2700-3300K(X:0.44,Y:0.41)			50
OSM6DLZ141D	Warm White	M	2.9	3.4	3.6	10	8400	10000	-	2900-3800K(X:0.42,Y:0.40)			35
OSM64 LZ151D	Warm White	M	2.8	3.0	3.6	10	10000	12000	-	2900-3800K(X:0.42,Y:0.40)			50

*1 Tolerance of measurements of chromaticity coordinate is ±10%

*2 Tolerance of measurements of luminous intensity is ±15%

*3 Tolerance of measurements of forward voltage is ±0.1V