

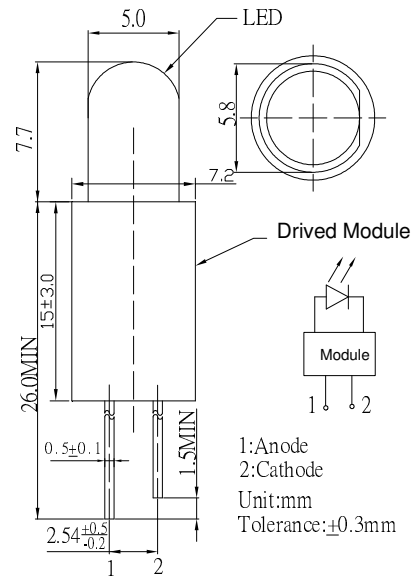
**■ Features**

- High Luminous LEDs
- 5mm Round Standard Directivity
- Superior Weather-resistance
- UV Resistant Epoxy
- Used 4.5~18V DC Drive
- Cost Effective, Constant Current LED
- Water Clear Type

**■ Applications**

- Flashlight
- Other Lighting

**■ Outline Dimension**

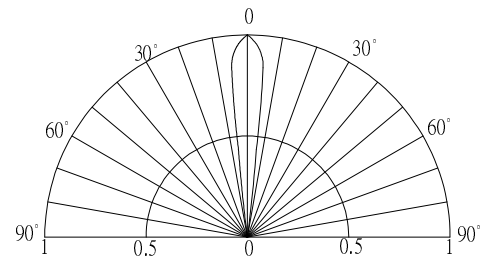


**■ Absolute Maximum Rating**

(Ta=25°C)

Item	Symbol	Value	Unit
DC Forward Voltage	V <sub>F</sub>	4.5 ~ 18	V
DC Forward Current (Input)	I <sub>F</sub>	19	mA
Power Dissipation	P <sub>D</sub>	342	mW
Operating Temperature	Topr	-30 ~ +85	°C
Storage Temperature	Tstg	-30 ~ +85	°C
Lead Soldering Temperature	Tsol	260°C/5sec	-

**■ Directivity**



**■ Electrical -Optical Characteristics** (Ta=25°C)

Part Number	Color		V <sub>F</sub> (V)*			I <sub>v</sub> (mcd)*			λD(nm)*			2θ1/2(deg)
			Min.	Type.	Max.	Min.	Typ.	Max.	Min.	Typ.	Max.	Typ.
			I <sub>F</sub> = 18.5mA			I <sub>F</sub> = 18.5mA						
OSW4DK5111A-5JP	Pure White	W	4.5	-	18	18000	20000	-	X=0.31, Y=0.33		15	
OSW5DK5111A-5JP	Cool White	W	4.5	-	18	20000	22000	-	X=0.27, Y=0.28		15	
OSM5DK5111A-5JP	Warm White	M	4.5	-	18	15000	18000	-	X=0.45, Y=0.41		15	
OSB5SA5111A-5JP	Blue	B	4.5	-	18	5800	7000	-	465 470 475		15	
OSG5DA5111A-5JP	Pure Green	G	4.5	-	18	20000	22000	-	520 525 530		15	
OSY5PA5111A-5JP	Yellow	Y	4.5	-	18	18000	20000	-	585 590 595		15	
OSO5PA5111A-5JP	Orange	O	4.5	-	18	20000	22000	-	600 605 610		15	
OSR5PA5111A-5JP	Red	R	4.5	-	18	18000	20000	-	620 625 630		15	

\*1 Tolerance of measurements of chromaticity coordinate is ±10%

\*2 Tolerance of measurements of dominant wavelength is ±1nm

\*3 Tolerance of measurements of luminous intensity is ±15%

\*4 Tolerance of measurements of forward voltage is ±0.1V