



| | |
|------------------|---------------------|
| Model No. | OS-OLTH3525X |
| REV. | C1 |

PRODUCT SPECIFICATION FOR LED LENS

| | |
|-----------------------|-------------------|
| Models | OS-OLTH3525X |
| Specification | φ35*10.5 |
| Perspective | 25 deg |
| Wick | 3 |
| High Power PCB series | OSPR3XX3 |
| LED series | LUXEON OPTOSUPPLY |
| Material | PMMA |
| Transmittance | 93% |
| Temperature | -35°C-90°C |
| Standard | SGS/ROHS |
| Surface Treatment | M / Z / P |

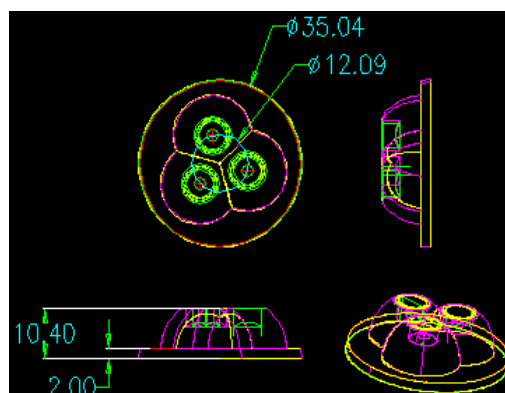
OS-OLTH3525P



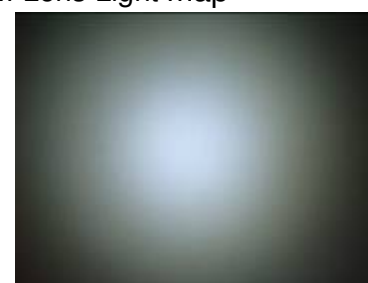
P-Lens Light map



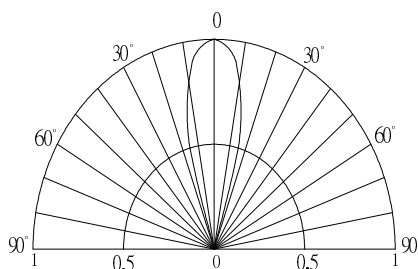
OS-OLTH3525M



M-Lens Light map



OS-OLTH3525Z



Z-Lens Light map

