

Descriptions:

- Voltage available in **DC24V**
- Nos. of LED: 18 x 1W Power LED
- MCPCB
- Size of PCB: 1000*20*1.6mm

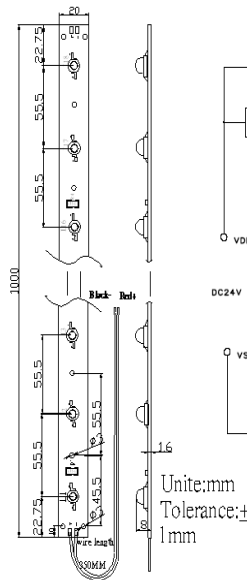
Application:

- Architectural lighting, task lighting, general lighting
- Mechanical equipment lights

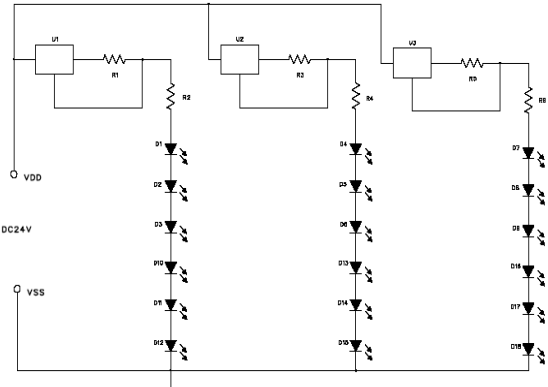
Photo



Outline Dimension

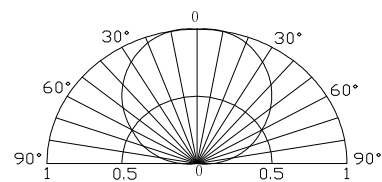


Circuit Diagram



Typical Performance (Ta=25°C)

Items	Symbol	Min.	Typ.	Max.	Units
LED Module Power	Pm	-	24	26	w
Input Voltage(DC)	Vi	-	24	26	V
Product input Current	If	-	1	1	A
Beam Pattern	BP	-	140	-	Deg
Operating Temperature	Topr	-30		85	°C
Storage Temperature	Tstg	-40		100	°C



Device Selection Guide

Module No.	Color	Wavelength(Typ.)	Overall Luminous Flux (lm)
OEMCA0118KP-G5XNE1E1E	Pure Green	525nm	1350
OEMCA0118KP-B4XNE1E1E	Blue	460nm	270
OEMCA0118KP-Y5XNE1E1E	Yellow	590nm	900
OEMCA0118KP-R5XNE1E1E	Red	625nm	900
OEMCA0118KP-M5XNE1E1E	Warm White	X=0.45, Y=0.41	1620
OEMCA0118KP-W4XNE1E1E	Pure White	X=0.31, Y=0.33	1800