

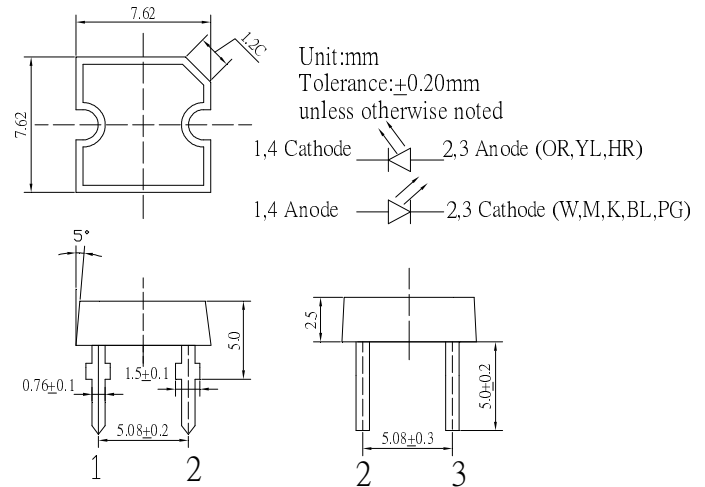
### ■Features

- High Luminous Super Flux Output
- Flat Standard Directivity
- Long Lifetime Operation
- Low Thermal Resistance
- Superior Weather-Resistance
- UV Resistant Epoxy / Water Clear Type

### ■Applications

- Automotive tail, stop, turn signal lamps and interior lighting
- Signage and channel letter
- Decoration and entertainment lighting
- Architectural lighting / Other Lighting

### ■Outline Dimension



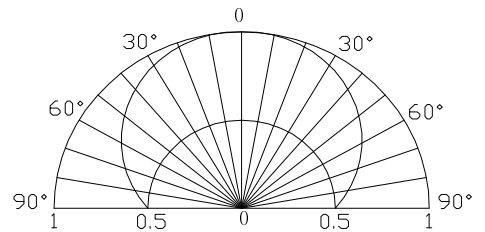
### ■Absolute Maximum Rating

(Ta=25°C)

Item	Symbol	Value		Unit
		W/M/K/B/PG	Y/O/R	
DC Forward Current	I <sub>F</sub>	50	50	mA
Pulse Forward Current*	I <sub>FP</sub>	100	100	mA
Reverse Voltage	V <sub>R</sub>	5	5	V
Power Dissipation	P <sub>D</sub>	180	130	mW
Operating Temperature	Topr	-30 ~ +85		°C
Storage Temperature	Tstg	-40~ +100		°C
Lead Soldering Temperature	Tsol	260 °C/5sec		-

\*Pulse width Max.10ms Duty ratio max 1/10

### ■Directivity



### ■Electrical -Optical Characteristics

(Ta=25°C)

Part Number	Color		V <sub>F</sub> (V)			I <sub>R</sub> (μA)	I <sub>v</sub> (mcd)			λD(nm)			θ1/2(deg)
			Min.	Typ.	Max.		Max.	Min.	Typ.	Max.	Min.	Typ.	
			I <sub>F</sub> =30mA/ I <sub>F</sub> =50MA			V <sub>R</sub> =5V	I <sub>F</sub> =30MA(W/M/K/B/PG) / I <sub>F</sub> =50MA(Y/O/R)						
OSW54LZ3K1D	White	W5	2.8	3.1	3.6	10	1350	1900			X=0.27,Y=0.28		180
OSM54LZ3K 1D	Warm white	M5	2.8	3.1	3.6	10	900	1200			X=0.45,Y=0.41		180
OSK54LZ3K 1D	Pink	K5	2.8	3.1	3.6	10	260	360			X=0.45,Y=0.17		180
OSB56LZ3K 1D	Blue	B5	2.8	3.1	3.6	10	500	700		465	465	475	180
OSG58AZ3K 1D	Pure green	G5	2.8	3.1	3.6	10	2180	3000		520	525	530	180
OSY5PAZ3K 1D	Yellow	Y5	1.8	2.2	2.6	10	750	1000		585	590	595	180
OSO5PAZ3K 1D	Orange	O5	1.8	2.2	2.6	10	750	1000		600	605	610	180
OSR5PAZ3K 1D	Red	R5	1.8	2.2	2.6	10	750	1000		620	625	630	180

\*1 Tolerance of measurements of chromaticity coordinates is ±10%

\*2 Tolerance of measurements of dominant wavelength is ±1nm

\*3 Tolerance of measurements of luminous intensity is ±15%

\*4 Tolerance of measurements of forward voltage is ±0.1V