

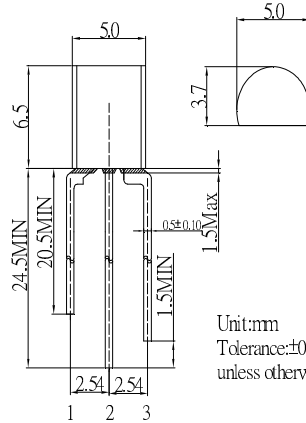
CURRENT REGULATIVE DIODE (CRD)

■ Outline Dimension

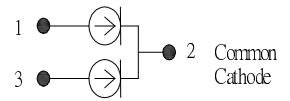
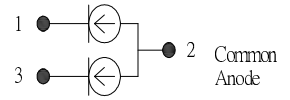
- CRD is a diode which supplies constant current to an electric circuit, when power supply voltage fluctuations or load impedance fluctuations occur.
- CRD is used for current stabilization and current limiting.
- CRD is offered on TO-92

■ Features

- Robust Power Package:460mW
- Wide Operating Voltage Range
- Immediate Turn-On
- Voltage Surge Suppressing – Protecting LEDs




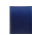
Unit:mm
Tolerance:±0.20mm
unless otherwise noted



■ Absolute Maximum Rating (Ta=25°C)

Item	Symbol	Value	Unit
Input Voltage	V_F	15	V
Junction Temperature	T_j	125	°C
Storage Temperature	T_{stg}	-40~ +125	°C
Collector Dissipation	P_c	0.75*2	W

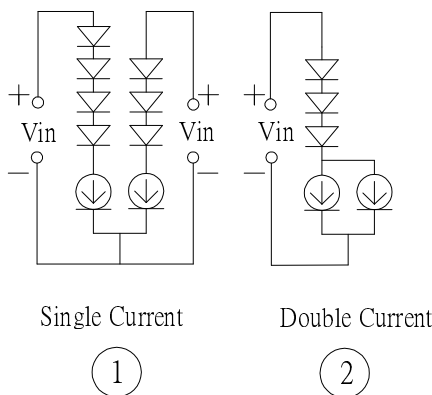
■ Electrical -Optical Characteristics (Ta=25°C)

Part Number	Color Marking	Constant Current(I_H)		Turn-on Voltage(V_k)		Limiting Ratio (Kc)	Withstand Voltage (V)
		I_H	Voltage(v)	$V_k(V)$	$I_k (MA)$	I_{30v}/I_{10v}	
OSCRDT230-A	Dark Green Diffused 	28-31	10	≤6	≤0.8 I_H	≤1.1	>70
OSCRDT230-C	Dark Blue Diffused 	28-31	10	≤6	≤0.8 I_H	≤1.1	>70

■ Application

- Automobile: Chevron Side Mirror Markers, Cluster, Display & Instrument Backlighting, CHMSL, Map Light
- DC Lighting Panels, Display Signage, Decorative Lighting, Channel Lettering
- Switch Contact Wetting

■ Application Information



■ Basic characteristics

