

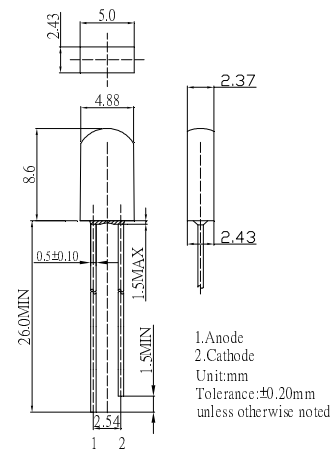
**■ Features**

- High Luminous LEDs
- 2.43x5.0x8.6mm Tombstone Standard Directivity
- Superior Weather-resistance
- UV Resistant Epoxy
- Water Clear Type

**■ Applications**

- Electronic Signs And Signals
- Small Area Illuminations
- Back Lighting
- Other Lighting

**■ Outline Dimension**

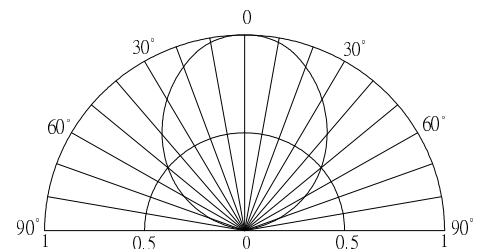


**■ Absolute Maximum Rating**

(Ta=25°C)

Item	Symbol	Value		Unit
		W/M/B/PG	YG/Y/O/R	
DC Forward Current	I <sub>F</sub>	30	30	mA
Pulse Forward Current*	I <sub>FP</sub>	80	100	mA
Reverse Voltage	V <sub>R</sub>	5	5	V
Power Dissipation	P <sub>D</sub>	108	78	mW
Operating Temperature	T <sub>opr</sub>	-30 ~ +85		°C
Storage Temperature	T <sub>stg</sub>	-40 ~ +100		°C
Lead Soldering Temperature	T <sub>sol</sub>	260°C/5sec		-

**■ Directivity**



\*Pulse width Max 0.1ms, Duty ratio max 1/10

**■ Electrical -Optical Characteristics**

(Ta=25°C)

Part Number	Color		V <sub>F</sub> (V)			I <sub>R</sub> (μA)	I <sub>v</sub> (mcd)*			λ <sub>D</sub> (nm)*			2θ1/2(deg)
			Min.	Typ.	Max.	Max.	Min.	Typ.	Max.	Min.	Typ.	Max.	Typ.
			I <sub>F</sub> =20mA			V <sub>R</sub> =5V	I <sub>F</sub> =20mA						
OSW5YK7WA1B	White	W	2.8	3.1	3.6	10	1560	2180	-	CCT:8000-18000K			100
OSM5YK7WA1B	Warm White	M	2.8	3.1	3.6	10	1120	1560	-	CCT:2700-3200K			100
OSB5YU7WA1B	Blue	B	2.8	3.1	3.6	10	330	500	-	465	470	475	100
OSG5TA7WA1B	Pure Green	PG	2.8	3.1	3.6	10	1120	1560	-	520	525	530	100
OSG8HA7WA1B	Yellow Green	YG	1.8	2.1	2.6	10	150	220	-	565	570	575	100
OSY5JA7WA1B	Yellow	Y	1.8	2.1	2.6	10	330	500	-	585	590	595	100
OSO5JA7WA1B	Orange	O	1.8	2.1	2.6	10	330	500	-	600	605	610	100
OSR5JA7WA1B	Red	R	1.8	2.1	2.6	10	330	500	-	620	625	630	100

\*1 Tolerance of measurements of dominant wavelength is ±1nm

\*2 Tolerance of measurements of chromaticity coordinate is ±10%

\*3 Tolerance of measurements of luminous intensity is ±15%

\*4 Tolerance of measurements of forward voltage is ±0.1V