

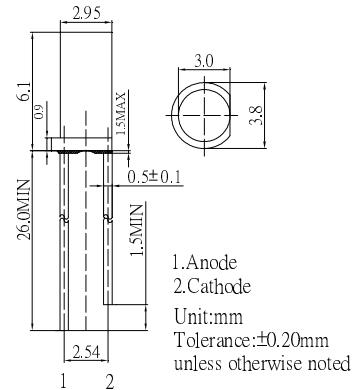
■ Features

- High Luminous LEDs
- 3mm Flat Standard Directivity
- Long Lifetime Operation
- Superior Weather-resistance
- UV Resistant Epoxy
- Color Diffused Type (W/M: White Diffused)

■ Applications

- Electronic Signs And Signals
- Small Area Illuminations
- Back Lighting/ Other Lighting

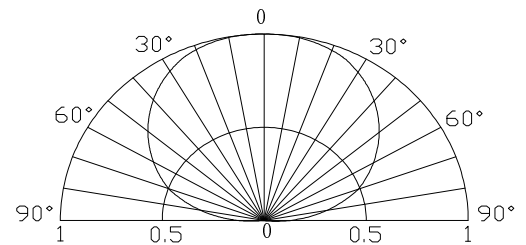
■ Outline Dimension



■ Absolute Maximum Rating (Ta=25°C)

Item	Symbol	Value		Unit
		W/M/BL/PG	YG/Y/O/R	
DC Forward Current	I _F	30	30	mA
Pulse Forward Current*	I _{FP}	100	100	mA
Reverse Voltage	V _R	5	5	V
Power Dissipation	P _D	108	78	mW
Operating Temperature	T _{opr}	-30 ~ +85		°C
Storage Temperature	T _{stg}	-40~ +100		°C
Lead Soldering Temperature	T _{sol}	260°C/5sec		-

■ Directivity



*Pulse width Max.10ms Duty ratio max 1/10

■ Electrical -Optical Characteristics (Ta=25°C)

Part Number	Color		V _F (V)			I _R (μA)	I _v (mcd)			Wd(nm)*			2θ1/2(deg)
			Min.	Typ.	Max.	Max.	Min.	Typ.	Max.	Min.	Typ.	Max.	Typ.
			I _F =20mA			V _R =5V	I _F =20mA						
OSW5DK3NE2A	Cool White	W	2.7	2.9	3.4	10	1120	1560	-	8500-18000K(X:0.27,Y:0.28)			140
OSM5DK3NE2A	Warm White	M	2.7	2.9	3.4	10	750	1120	-	2700-3200K(X:0.44,Y:0.41)			140
OSB5SA3NE4A	Blue	BL	2.8	3.1	3.6	10	220	330	-	465	470	475	140
OSG5DA3NE4A	Pure Green	PG	2.8	3.1	3.6	10	750	1120	-	520	525	530	140
OSY5JA3NE4A	Yellow	Y	1.8	2.1	2.6	10	68	100	-	585	590	595	140
OSY5PA3NE4A	Yellow	Y	1.8	2.1	2.6	10	330	500	-	585	590	595	140
OSO5JA3NE4A	Orange	O	1.8	2.1	2.6	10	100	150	-	600	605	610	140
OSO5PA3NE4A	Orange	O	1.8	2.1	2.6	10	330	500	-	600	605	610	140
OSR5JA3NE4A	Red	R	1.8	2.1	2.6	10	68	100	-	620	625	630	140
OSR5PA3NE4A	Red	R	1.8	2.1	2.6	10	330	500	-	620	625	630	140

*1 Tolerance of measurements of chromaticity coordinate is ±10%

*2 Tolerance of measurements of dominant wavelength is ±1nm

*3 Tolerance of measurements of luminous intensity is ±15%

*4 Tolerance of measurements of forward voltage is ±0.1V