

■ Features

- High Luminous LEDs
- 3mm Round Standard Directivity
- UV Resistant Epoxy
- Integral Current Limiting Resistor
- TTL Compatible (Requires No External Current Limiter With 5 Volt Supply)
- Cost Effective (Saves Space and Resistor Cost)
- Color Diffused Type/Except White/Warm White/Pink: White Diffused

■ Applications

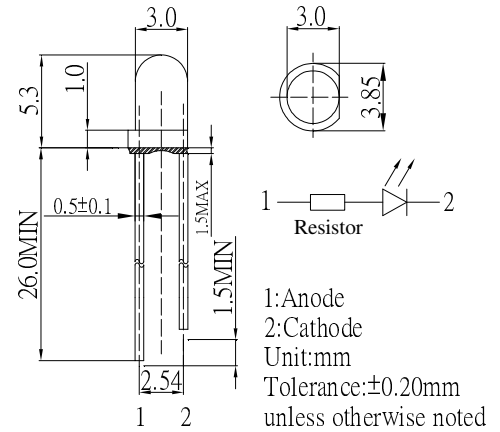
- Status Indicators
- Other Lighting

■ Absolute Maximum Rating

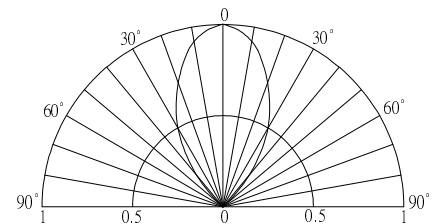
(Ta=25°C)

Item	Symbol	Value	Unit
DC Forward Voltage	V _F	7.5	V
Reverse Voltage	V _R	5	V
Power Dissipation	P _D	150	mW
Operating Temperature	Topr	-30 ~ +85	°C
Storage Temperature	Tstg	-40~ +100	°C
Lead Soldering Temperature	Tsol	260°C/5sec	-

■ Outline Dimension



■ Directivity



■ Electrical -Optical Characteristics (Ta=25°C)

Part Number	Color			I _F (mA)			I _v (mcd)*			λD(nm)*			2θ1/2(deg)
				Min	Typ.	Max.	Min.	Typ.	Max.	Min.	Typ.	Max.	Typ.
				V _F =5V			V _F =5V						
OSW5DK3162A-5V	White	W		-	12	20	1560	2180	-	X=0.27, Y=0.28			60
OSM5DK3162A-5V	Warm White	M	■	-	12	20	1560	2180	-	X=0.45, Y=0.41			60
OSK5DK3162A-5V	Pink	K		-	12	20	330	500	-	X=0.45, Y=0.17			60
OSB5SA3164A-5V	Blue	B	■	-	12	20	220	330	-	465	470	475	60
OSG5DA3164A-5V	Pure Green	TG	■	-	12	20	1120	1560	-	520	525	530	60
OSG8HA3164A-5V	Yellow Green	G	■	-	12	20	20	30	-	565	570	575	60
OSY5RU3164A-5V	Yellow	Y	■	-	12	20	220	330	-	585	590	595	60
OSY5PA3164A-5V	Yellow	Y	■	-	12	20	700	900	-	585	590	595	60
OSO5JA3164A-5V	Orange	O	■	-	12	20	220	330	-	600	605	610	60
OSO5PA3164A-5V	Orange	O	■	-	12	20	700	900	-	600	605	610	60
OSR5RU3164A-5V	Red	R	■	-	12	20	220	330	-	620	625	630	60
OSR5PA3164A-5V	Red	R	■	-	12	20	700	900	-	620	625	630	60

*1 Tolerance of measurements of Domi. wavelength is ±1nm
*3 Tolerance of measurements of luminous intensity is ±15%

*2 Tolerance of measurements of chromaticity coordinates is ±10%
*4 Tolerance of measurements of forward voltage is ±0.1V