

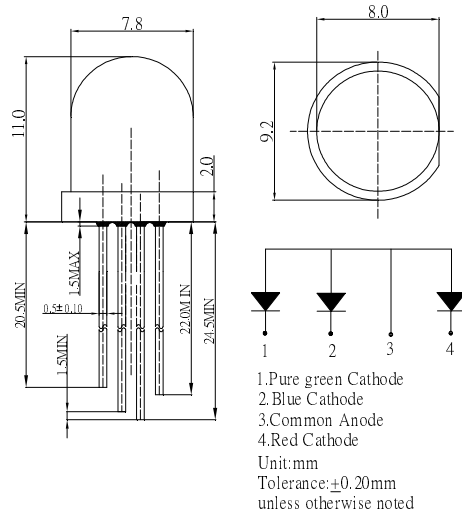
■ **Features**

- High Luminous Output
- 8mm Standard Directivity
- Water Clear Type
- Common Anode Type

■ **Applications**

- Toys
- Games
- Audio
- Other Lighting

■ **Outline Dimension**

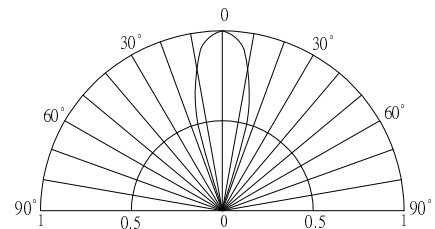


■ **Absolute Maximum Rating (Ta=25°C)**

Item	Symbol	Value		Unit
		Red	Green/Blue	
DC Forward Current	$I_F$	30	30	mA
Pulse Forward Current#	$I_{FP}$	100	100	mA
Reverse Voltage	$V_R$	5	5	V
Power Dissipation	$P_D$	78	108	mW
Operating Temperature	$T_{opr}$	-30 ~ +85		°C
Storage Temperature	$T_{stg}$	-40 ~ +100		°C
Lead Soldering Temperature	$T_{sol}$	260°C/5sec		-

#Pulse width Max.10ms Duty ratio max 1/10

■ **Directivity**



■ **Electrical -Optical Characteristics (Ta=25°C)**

Item	Symbol	Condition	Min.	Typ.	Max.	Unit
DC Forward Voltage*1	$V_F$ (R)	$I_F=20mA$	1.8	2.1	2.6	V
	$V_F$ (B/G)	$I_F=20mA$	2.9	3.1	3.6	V
DC Reverse Current	$I_R$	$V_R=5V$	-	-	10	μA
Domi. Wavelength*2	$\lambda_D$ (Red)	$I_F=20mA$	620	625	630	nm
	$\lambda_D$ (Green)	$I_F=20mA$	520	525	530	nm
	$\lambda_D$ (Blue)	$I_F=20mA$	465	470	475	nm
Luminous Intensity*3	$I_v$ (Red)	$I_F=20mA$	7000	8500	-	mcd
	$I_v$ (Green)	$I_F=20mA$	10000	12000	-	mcd
	$I_v$ (Blue)	$I_F=20mA$	3000	4000	-	mcd
50% Power Angle	$2\theta_{1/2}$	$I_F=20mA$	-	30	-	deg

\*1 Tolerance of measurements of forward voltage is ±0.1V

\*2 Tolerance of measurements of dominant wavelength is ±1nm

\*3 Tolerance of measurements of luminous intensity is ±15%