

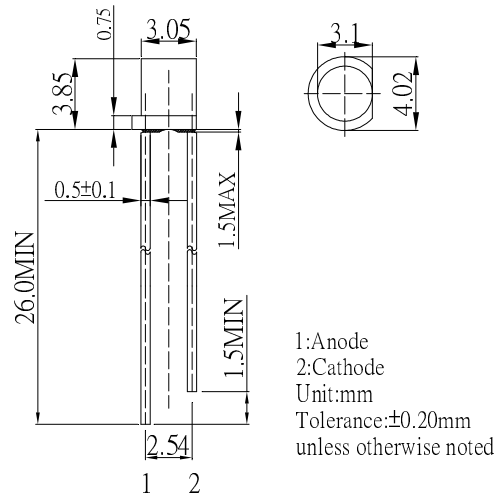
### ■Features

- High Luminous LED
- 3mm Flat Standard Directivity
- Long Lifetime Operation
- Superior UV Resistance
- Water Clear Type

### ■Applications

- Electronic Signs And Signals
- Small Area Illuminations
- Back Lighting
- Other Lighting

### ■Outline Dimension



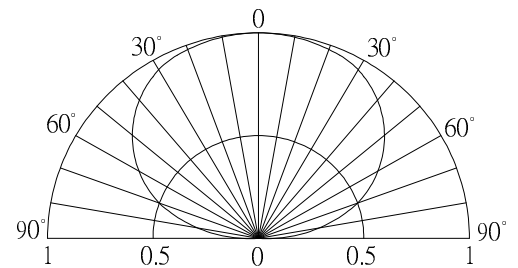
### ■Absolute Maximum Rating

(Ta=25°C)

Item	Symbol	Value		Unit
		W/M/B/PG	R/Y	
DC Forward Current	I <sub>F</sub>	30	30	mA
Pulse Forward Current#	I <sub>FP</sub>	100	100	mA
Reverse Voltage	V <sub>R</sub>	5	5	V
Power Dissipation	P <sub>D</sub>	108	78	mW
Operating Temperature	Topr	-30 ~ +85		°C
Storage Temperature	Tstg	-40~ +100		°C
Lead Soldering Temperature	Tsol	260°C/5sec		-

#Pulse width Max 0.1ms, Duty ratio max 1/10

### ■Directivity



### ■Electrical -Optical Characteristics

(Ta=25°C)

Part Number	Color		V <sub>F</sub> (V)			I <sub>R</sub> (μA)	I <sub>v</sub> (mcd)*			λD (nm)*			2θ1/2(deg)
			Min.	Typ.	Max.	Max.	Min.	Typ.	Max.	Min.	Typ.	Max.	Typ.
			I <sub>F</sub> =20mA			V <sub>R</sub> =5V	I <sub>F</sub> =20mA						
OSW5DK34E1A	White	W	2.9	3.1	3.6	10	1560	1800	-	8000-18000K(X:0.27,Y:0.28)			140
OSM5DK34E1A	Warm White	M	2.9	3.1	3.6	10	750	1120	-	2700-3200K(X:0.45,Y:0.41)			140
OSB5SA34E1A	Blue	B	2.9	3.1	3.6	10	330	500	-	465	470	475	140
OSG5DA34E1A	Pure Green	PG	2.9	3.1	3.6	10	1560	2000	-	520	525	530	140
OSY5RU34E1A	Yellow	Y	1.8	2.1	2.6	10	220	330	-	585	590	595	140
OSY5PA34E1A	Yellow	Y	1.8	2.1	2.6	10	750	1000	-	585	590	595	140
OSR5RU34E1A	Red	R	1.8	2.1	2.6	10	220	330	-	620	625	630	140
OSR5PA34E1A	Red	R	1.8	2.1	2.6	10	750	1000	-	620	625	630	140

\*1 Tolerance of measurements of dominant wavelength is ±1nm

\*2 Tolerance of measurements of chromaticity coordinate is ±10%

\*3 Tolerance of measurements of luminous intensity is ±15%

\*4 Tolerance of measurements of forward voltage is ±0.1V