

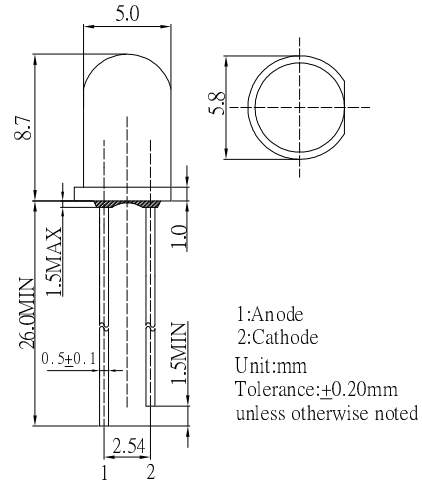
■ **Features**

- Low Current LED
- 5mm Round Standard Directivity
- Long Lifetime Operation
- UV Resistant Epoxy
- Low Power dissipation: Type. 2.8mW
- Water Clear Type

■ **Applications**

- Electronic Signs And Signals
- Small Area Illuminations
- Back Lighting
- Other Lighting

■ **Outline Dimension**

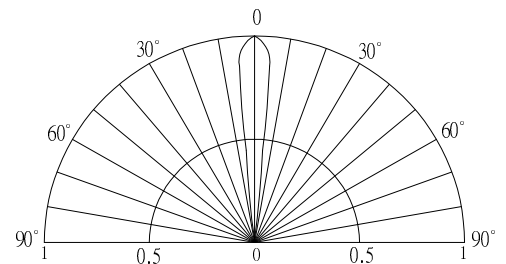


■ **Absolute Maximum Rating** (Ta=25°C)

| Item                       | Symbol           | Value      | Unit |
|----------------------------|------------------|------------|------|
| DC Forward Current         | I <sub>F</sub>   | 30         | mA   |
| Pulse Forward Current#     | I <sub>FP</sub>  | 100        | mA   |
| Reverse Voltage            | V <sub>R</sub>   | 5          | V    |
| Power Dissipation          | P <sub>D</sub>   | 108        | mW   |
| Operating Temperature      | T <sub>opr</sub> | -30 ~ +85  | °C   |
| Storage Temperature        | T <sub>stg</sub> | -40 ~ +100 | °C   |
| Lead Soldering Temperature | T <sub>sol</sub> | 260°C/5sec | -    |

#Pulse width Max 10ms , Duty ratio max 1/10

■ **Directivity**



■ **Electrical -Optical Characteristics** (Ta=25°C)

| Item                       | Symbol            | Condition           | Min. | Typ. | Max. | Unit |
|----------------------------|-------------------|---------------------|------|------|------|------|
| DC Forward Voltage*1       | V <sub>F</sub>    | I <sub>F</sub> =1mA | 2.6  | 2.8  | 3.3  | V    |
| DC Reverse Current         | I <sub>R</sub>    | V <sub>R</sub> =5V  | -    | -    | 10   | μA   |
| Luminous Intensity*2       | I <sub>v</sub>    | I <sub>F</sub> =1mA | 2180 | 3000 | -    | mcd  |
| Chromaticity Coordinates*3 | x                 | I <sub>F</sub> =1mA | -    | 0.27 | -    |      |
|                            | y                 | I <sub>F</sub> =1mA | -    | 0.28 | -    |      |
| 50% Power Angle            | 2θ <sub>1/2</sub> | I <sub>F</sub> =1mA | -    | 15   | -    | deg  |

\*1 Tolerance of measurements of forward voltage is ±0.1V

\*2 Tolerance of measurements of luminous intensity is +15%

\*3 Tolerance of measurements of chromaticity coordinate is +10%