

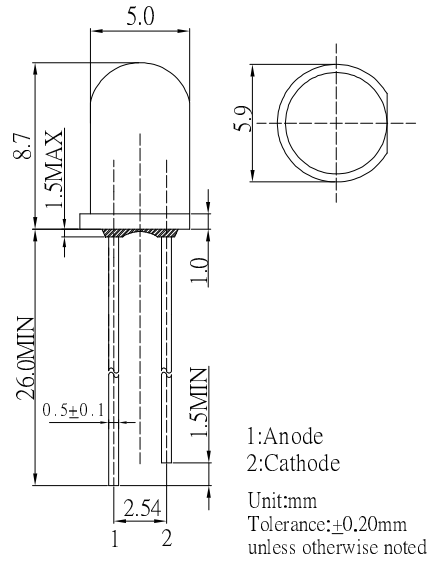
**■ Features**

- High Luminous LEDs
- 5mm Round Standard Directivity
- UV Resistant Epoxy
- Water Clear Type
- High Voltage Operation

**■ Applications**

- Backlighting (illuminated advertising etc.)
- Substitution of Micro Incandescent Lamps
- Reading Lamps / Emergency Lighting
- Marker lights (e.g. steps, exit ways, etc.)
- Other Lighting

**■ Outline Dimension**

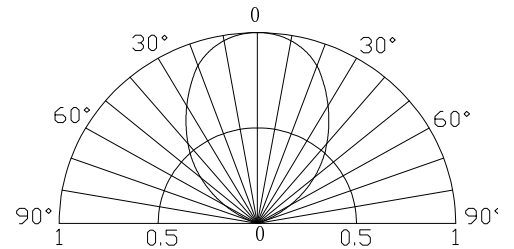


**■ Absolute Maximum Rating (Ta=25°C)**

Item	Symbol	Value	Unit
DC Forward Current	I <sub>F</sub>	20	mA
Pulse Forward Current#	I <sub>FP</sub>	100	mA
Reverse Voltage	V <sub>R</sub>	15	V
Power Dissipation	P <sub>D</sub>	190	mW
Operating Temperature	Topr	-30 ~ +85	°C
Storage Temperature	Tstg	-40 ~ +100	°C
Lead Soldering Temperature	Tsol	260°C/5sec	-

#Pulse width Max 10ms , Duty ratio max 1/10

**■ Directivity**



**■ Electrical -Optical Characteristics (Ta=25°C)**

Part Number	Color			V <sub>F</sub> (V)*1			I <sub>R</sub> (μA)	Φ <sub>V</sub> (LM)*2			I <sub>v</sub> (mcd)*3			CCT(K)*4/x,y*5			2θ1/2(deg)
				Min.	Typ.	Max.	Max.	Min.	Typ.	Max.	Min.	Typ.	Max.	Min.	Typ.	Max.	Typ.
				I <sub>F</sub> =15mA			V <sub>R</sub> =15V			I <sub>F</sub> =15mA							
OSW59V5B61A	Cool White	W		7.8	8.5	9.5	10	11	13	-	25000	30000	-	8500-10000-18000K(X:0.27,Y:0.28)			60
OSW49V5B61A	Pure White	W		7.8	8.5	9.5	10	11	13	-	25000	30000	-	5500-6500-8500K(X:0.31,Y:0.34)			60
OSM59V5B61A	Warm White	M	■	7.8	8.5	9.5	10	10	12	-	22000	25000	-	2700-3000-3200K(X:0.44,Y:0.41)			60
OSB69V5B61A	Ice Blue	B	■	7.8	8.5	9.5	10	11	13	-	25000	30000	-	X:0.19,Y:0.29			60

\*1 Tolerance of measurements of forward voltage is ±0.1V  
 \*2 Tolerance of measurements of luminous flux is ±15%  
 \*3 Tolerance of measurements of luminous intensity is ±15%  
 \*4 Tolerance of measurements of color temperature is ±10%  
 \*5 Tolerance of measurements of chromaticity coordinate is ±10%