

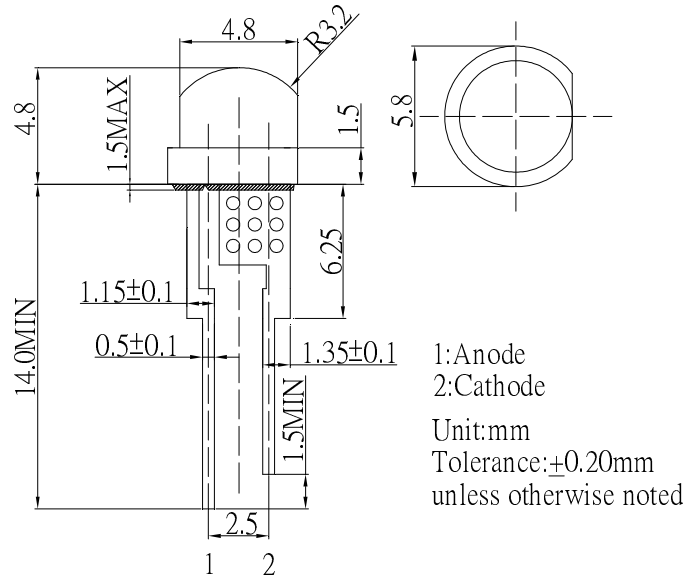
**■Features**

- Highest luminous flux
- Long Lifetime Operation
- Low Thermal resistance
- Water Clear Type

**■Applications**

- Read lights (car, bus, aircraft)
- Bollards / Security / Garden
- Small Area Illuminations
- Indoor / Outdoor Commercial lights
- Automotive Ext

**■Outline Dimension**



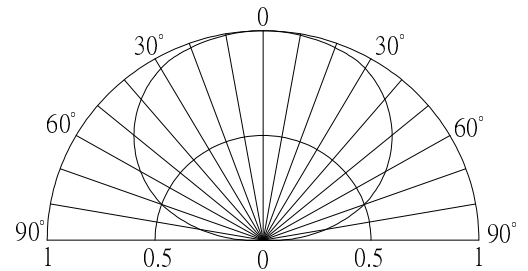
**■Absolute Maximum Rating**

(Ta=25°C)

Item	Symbol	Value	Unit
		W/M/B/PG	
DC Forward Current	I <sub>F</sub>	180	mA
Pulse Forward Current#	I <sub>FP</sub>	200	mA
Reverse Voltage	V <sub>R</sub>	5	V
Power Dissipation	P <sub>D</sub>	684	mW
Operating Temperature	Topr	-30 ~ +85	°C
Storage Temperature	Tstg	-40 ~ +100	°C
Lead Soldering Temperature	Tsol	260°C/5sec	-

#Pulse width Max.10ms Duty ratio max 1/10

**■Directivity**



**■Electrical -Optical Characteristics**

(Ta=25°C)

Part Number	Color		V <sub>F</sub> (V)			I <sub>R</sub> (μA)	Φ <sub>v</sub> (lm)			I <sub>v</sub> (mcd)			WD(nm)/CCT(K)			2θ1/2(deg)
			Min.	Typ.	Max.	Max.	Min.	Typ.	Max.	Min.	Typ.	Max.	Min.	Typ.	Max.	Typ.
			I <sub>F</sub> =150mA			V <sub>R</sub> =5V			I <sub>F</sub> =150mA							
OSW4XA56E1R-150MA	White	W	-	3.3	3.8	10	35	40	-	14400	18000	-	5500K	6500K	8500K	140
OSM5XA56E1R-150MA	Warm White	M	-	3.3	3.8	10	33	38	-	12000	14400	-	2700K	3000K	3300K	140
OSB4XA56E1R-150MA	Blue	B	-	3.3	3.8	10	10	12	-	4200	5500	-	455	460	470	140
OSG5XA56E1R-150MA	Pure Green	PG	-	3.3	3.8	10	33	38	-	12000	14400	-	517	525	530	140

\*1 Tolerance of measurements of forward voltage is ±0.1V

\*2 Tolerance of measurements of luminous flux is ±15%

\*3 Tolerance of measurements of luminous intensity is ±15%

\*4 Tolerance of measurements of dominant wavelength is ±10%

\*5 Tolerance of measurements of color temperature is ±10%

**LED & Application Technologies**

