

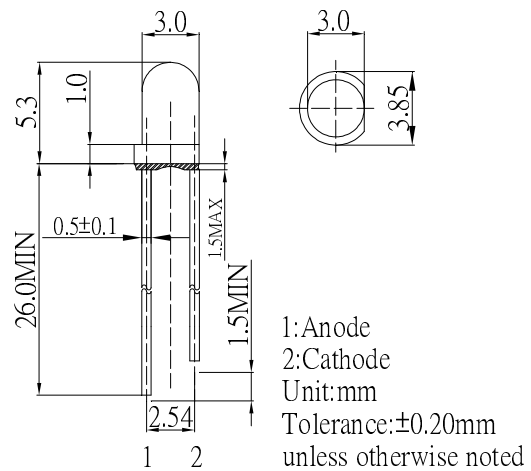
■ **Features**

- High Luminous LEDs
- 3mm Round Standard Directivity
- Flashing Type
- Water Clear Type

■ **Applications**

- Toys
- Games
- Back Lighting
- Other Lighting

■ **Outline Dimension**

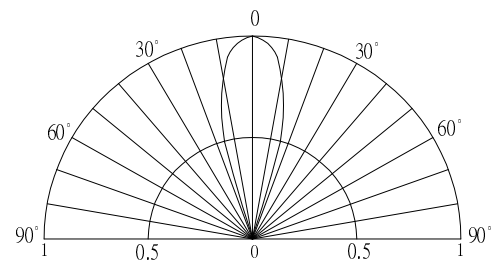


■ **Absolute Maximum Rating**

(Ta=25°C)

Item	Symbol	Value	Unit
Power Supply	Voltage	5	V
Operating Temperature	Topr	-30 ~ +85	°C
Storage Temperature	Tstg	-40 ~ +100	°C
Lead Soldering Temperature	Tsol	260°C/5sec	-

■ **Directivity**



■ **Electrical -Optical Characteristics**

(Ta=25°C)

Item	Symbo	Condition	Min.	Typ.	Max.	Unit
DC Forward Voltage*	V _{dd}	I _F =20mA	3.0	3.3	5.0	V
Oscillator Frequency*	F _{led}	I _F =20mA	-	1.8	-	Hz
Duty Cycle	Duty	I _F =20mA	-	1/2	-	-
Peak Wavelength*	λ _p	I _F =20mA	400	405	410	nm
Radiant flux*	Φ _e	I _F =20mA	12	14	16	mW
50% Power Angle	2θ _{1/2}	I _F =20mA	-	30	-	deg

*1 Tolerance of measurements of peak wavelength is ±1nm

*2 Tolerance of measurements of radiant flux is ±15%

*3 Tolerance of measurements of forward voltage is ±0.1V

*4 Tolerance of measurements of frequency is +20%

LED & Application Technologies

