

CURRENT REGULATIVE LED

CRLED

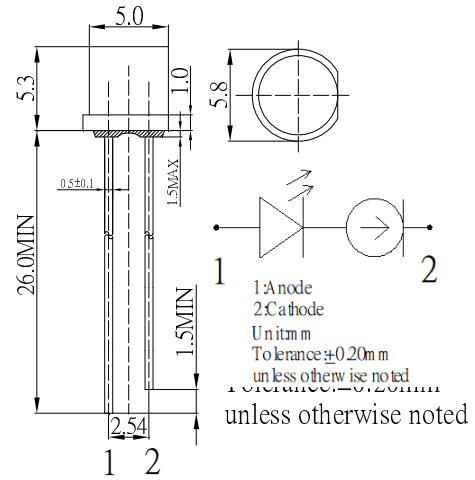
- CRLED is LED which supplies constant current to keep LED Intensity Consistency even when power supply voltage fluctuations or load impedance fluctuations occur.

- CRLED is used with current stabilization and current limiting

■ Features

- High Luminous LEDs / 5mm Flat Standard Directivity
- UV Resistant Epoxy
- Water Clear Type

■ Outline Dimension

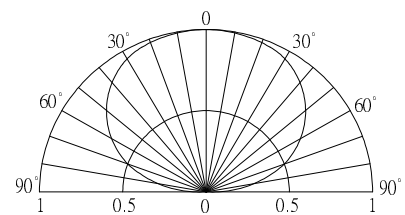


■ Absolute Maximum Rating

(Ta=25°C)

Item	Symbol	Value	Unit
DC Forward Voltage	V _F	20	V
Power Dissipation	P _D	320	mW
Operating Temperature	T _{opr}	-30 ~ +85	°C
Storage Temperature	T _{stg}	-40~ +100	°C
Lead Soldering Temperature	T _{sol}	260°C/5sec	-

■ Directivity



■ Electrical -Optical Characteristics

(Ta=25°C)

Part Number	Color	VF(V)*		I _F (mA)			I _R (μA)	I _v (mcd)*			λD(nm)*			2θ1/2(deg)
		Min	Ma	Min	Typ.	Max.	Max..	Min.	Typ.	Max.	Min.	Typ.	Max.	Typ.
			x.	V _F =12V			V _R =8V	V _F =12V						
OSW5DK57E1A-CRLED14	White	5.5	20	-	14	-	10	-	2500	-	X=0.27, Y=0.28			140
OSM5DK57E1A-CRLED14	Warm White	5.5	20	-	14	-	10	-	2000	-	X=0.45, Y=0.41			140
OSB64L5A7E1A-CRLED14	Ice Blue	5.5	20	-	14	-	10	-	2200	-	X=0.19, Y=0.29			140
OSB5SA57E1A-CRLED14	Blue	5.5	20	-	14	-	10	-	750	-	465	470	475	140
OSG5DA57E1A-CRLED14	Pure Green	5.5	20	-	14	-	10	-	2500	-	520	525	530	140
OSY5MA57E1A-CRLED14	Yellow	5	20	-	14	-	10	-	1120	-	585	590	595	140
OSO5PA57E1A-CRLED14	Orange	5	20	-	14	-	10	-	1120	-	600	605	610	140
OSR5MA57E1A-CRLED14	Red	5	20	-	14	-	10	-	1120	-	620	625	630	140

*1 Tolerance of measurements of chromaticity coordinate is ±10%

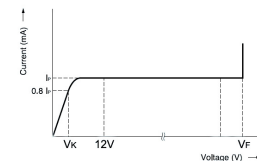
*2 Tolerance of measurements of dominant wavelength is ±1nm

*3 Tolerance of measurements of luminous intensity is ±15%

*4 Tolerance of measurements of forward voltage is ±0.1V

■ Applications

- Electronic Signs And Signals/ Small Area Illuminations
- Back Lighting/ Toys/ Other Lighting

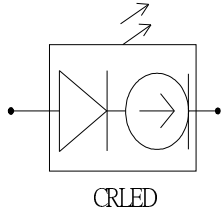


Explanation of terms
I_v: Pinch-off current at 12v
V_k: Voltage which produces 0.8I_v or greater current
V_f: Breakdown voltage

Current Regulative LED
5mm Flat Top LED
OSXXXX57E1A-CRLED14

■ **Typical Applications**

1 : Single LED



2 : Multi- LEDs in series

