

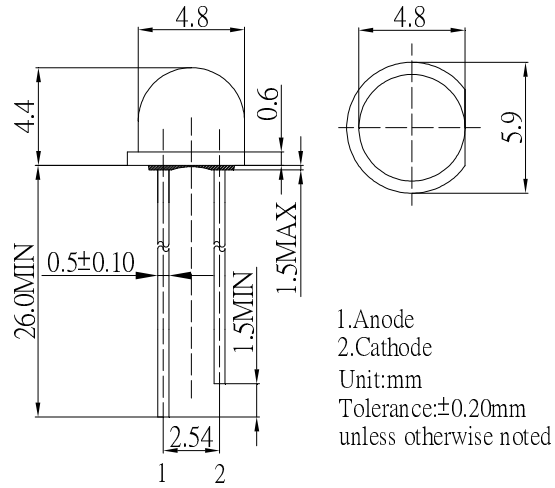
■ **Features**

- High Luminous LEDs
- 4.8mm Helmet Standard Directivity
- UV Resistant Epoxy
- Water Clear Type
- High Voltage Operation

■ **Applications**

- Backlighting (illuminated advertising etc.)
- Substitution of Micro Incandescent Lamps
- Reading Lamps / Emergency Lighting
- Marker lights (e.g. steps, exit ways, etc.)
- Other Lighting

■ **Outline Dimension**

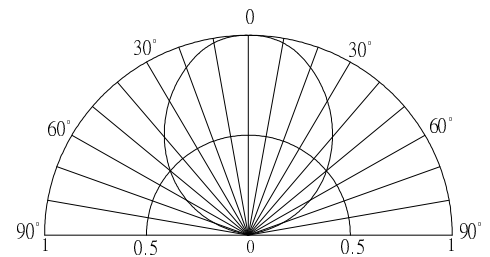


■ **Absolute Maximum Rating (Ta=25°C)**

Item	Symbol	Value	Unit
DC Forward Current	I _F	20	mA
Pulse Forward Current#	I _{FP}	100	mA
Reverse Voltage	V _R	15	V
Power Dissipation	P _D	190	mW
Operating Temperature	Topr	-30 ~ +85	°C
Storage Temperature	Tstg	-40 ~ +100	°C
Lead Soldering Temperature	Tsol	260°C/5sec	-

#Pulse width Max 10ms , Duty ratio max 1/10

■ **Directivity**



■ **Electrical -Optical Characteristics (Ta=25°C)**

Part Number	Color		V _F (V)*1			I _R (μA)	Φ _V (LM)*2			I _v (mcd)*3			CCT(K)*4,x,y*5			2θ1/2(deg)
			Min.	Typ.	Max.	Max.	Min.	Typ.	Max.	Min.	Typ.	Max.	Min.	Typ.	Max.	Typ.
			I _F =15mA			V _R =15V			I _F =15mA							
OSW59V5PA1A	Cool White	W	7.8	8.5	9.5	10	11	13	-	5800	7000	-	8500-10000-18000K(X:0.27,Y:0.28)			100
OSW49V5PA1A	Pure White	W	7.8	8.5	9.5	10	11	13	-	5800	7000	-	5500-6500-8500K(X:0.31,Y:0.34)			100
OSM79V5PA1A	Natural White	M	7.8	8.5	9.5	10	10	12	-	4200	5800	-	3500-4000-4500K(X:0.38,Y:0.39)			100
OSM59V5PA1A	Warm White	M	7.8	8.5	9.5	10	10	12	-	4200	5800	-	2700-3000-3200K(X:0.44,Y:0.41)			100
OSB69V5PA1A	Ice Blue	B	7.8	8.5	9.5	10	11	13	-	5800	7000	-	X:0.19,Y:0.29			100

*1 Tolerance of measurements of forward voltage is ±0.1V
 *2 Tolerance of measurements of luminous flux is ±15%
 *3 Tolerance of measurements of luminous intensity is ±15%
 *4 Tolerance of measurements of color temperature is ±10%
 *5 Tolerance of measurements of chromaticity coordinate is ±10%