

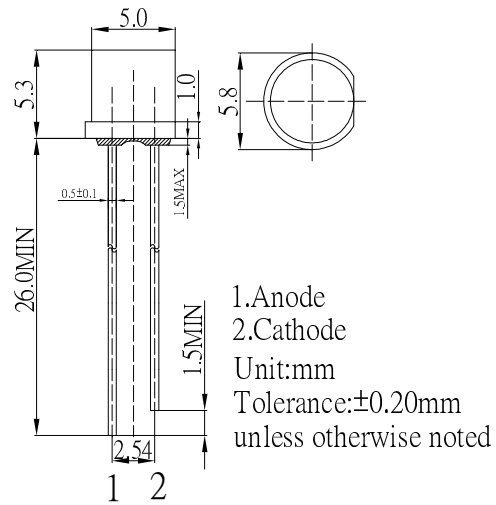
■ **Features**

- High Lumen LEDs
- 5mm Flat Top Standard Directivity
- UV Resistant Epoxy
- Water Clear Type

■ **Applications**

- Traffic Signal
- Backlighting
- Signal and channel letter
- Other Lighting

■ **Outline Dimension**

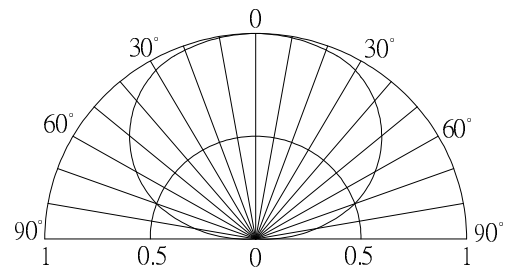


■ **Absolute Maximum Rating**

(Ta=25°C)

Item	Symbol	Value		Unit
		W/M/B/PG	Y/O/R	
DC Forward Current	I _F	30	30	mA
Pulse Forward Current#	I _{FP}	100	100	mA
Reverse Voltage	V _R	5	5	V
Power Dissipation	P _D	102	78	mW
Operating Temperature	T _{opr}	-30 ~ +85		°C
Storage Temperature	T _{stg}	-40 ~ +100		°C
Lead Soldering Temperature	T _{sol}	260°C / 5sec		-

■ **Directivity**



#Pulse width Max.10ms Duty ratio max 1/10

■ **Electrical -Optical Characteristics**

(Ta=25°C)

Part Number	Color			V _F (V)			I _R (μA)	Φ _V (LM)			I _v (cd)			Wd(nm)/CCT(K)			2θ1/2(deg)
				Min.	Typ.	Max.	Max.	Min.	Typ.	Max.	Min.	Typ.	Max.	Min.	Typ.	Max.	Typ.
				I _F =30mA			V _R =5V			I _F =30mA							
OSW44P57E1A	Pure White	W	-	2.9	3.4	10	8.5	10	-	2.18	2.50	-	5500-8500K(X:0.31,Y:0.33)			140	
OSM54P57E1A	Warm White	M	-	2.9	3.4	10	8.5	10	-	2.18	2.50	-	2700-3200K(X:0.44,Y:0.41)			140	
OSB56P57E1A	Blue	B	-	2.9	3.4	10	2.5	3.0	-	0.50	0.75	-	465	470	475	140	
OSG5GP57E1A	Pure Green	PG	-	2.9	3.4	10	8.5	10	-	2.18	2.50	-	520	525	530	140	
OS5YKP57E1A	Yellow	Y	-	2.1	2.6	10	3.5	4.5	-	0.75	1.12	-	585	590	595	140	
OS5OKP57E1A	Orange	O	-	2.1	2.6	10	3.5	4.5	-	0.75	1.12	-	600	605	610	140	
OS5RKP57E1A	Red	R	-	2.1	2.6	10	3.5	4.5	-	0.75	1.12	-	620	625	630	140	

*1 Tolerance of measurements of chromaticity coordinate is ±10%

*2 Tolerance of measurements of dominant wavelength is ±1nm

*3 Tolerance of measurements of luminous flux is ±15%

*4 Tolerance of measurements of forward voltage is ±0.1V