

■ Description

- LED Kit contains pre-wired LEDs, resistors and mounting clips
- 160pcs are supplied in a storage box
- Easy to use and storage
- Widely applied to DIY projects, school science experiments, car decorations, etc.

■ Features

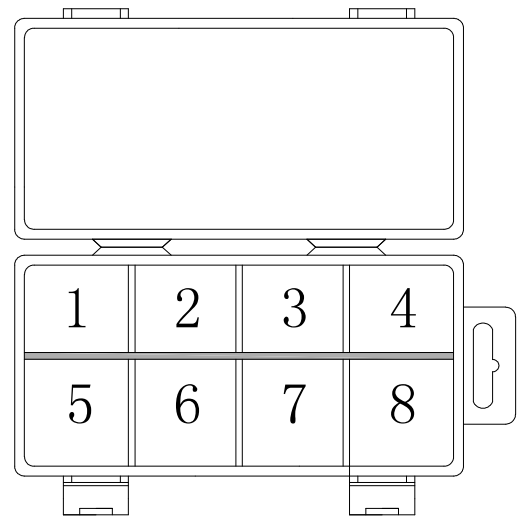
- 3mm standard 30° LED with 200±10mm wire
- UV resistant epoxy
- Red/Yellow/Yellow Green/Blue/Warm White/Cool White
- Color diffused/Water clear
- Resistors are used to limit current flow
- Single part clips for mounting

■ Kit Contents

Section	Contents	Pcs	P/N	Spec
1	3mm Pre-wired LED, Red,	10	OSR63134A-W20	Page 2
2	3mm Pre-wire LED, Yellow	10	OSY53134A-W20	
3	3mm Pre-wired LED, Blue	10	OSB53134A-W20	
4	3mm Pre-wired LED, Yellow Green	10	OSG83134A-W20	
5	3mm Pre-wired LED, Warm White	10	OSM53131A-W20	
6	3mm Pre-wired LED, Cool White	10	OSW53131A-W20	Page 3
7	3mm LED Mounting Clip	60		
8	220Ω Carbon Film Resistor, 0.25W±0.5%	10		Page 4
	470Ω Carbon Film Resistor, 0.25W±0.5%	10		
	680Ω Carbon Film Resistor, 0.25W±0.5%	10		
	1000Ω Carbon Film Resistor, 0.25W±0.5%	10		

■ Product Picture

160pcs/Box (Dimensions: 200*135*45mm)





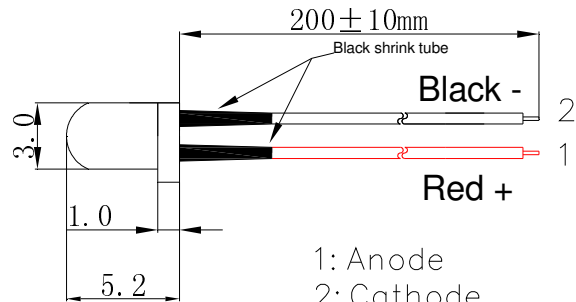
■ Description

- Wire length: 200±10mm
- 3mm round standard 30° directivity
- UV resistant epoxy
- Available in all colors

■ Applications

- General purpose indicators
- Small area illuminations
- Christmas light
- Backlighting

■ Outline Dimension



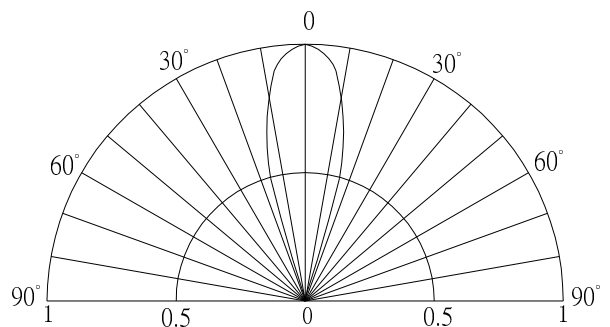
1: Anode
2: Cathode
Unit: mm
Tolerance: ±0.20mm
unless otherwise noted

■ Absolute Maximum Rating (Ta=25°C)

Item	Symbol	Value		Unit
		B/M/W	R/Y/YG	
DC Forward Current	I _F	30	30	mA
Pulse Forward Current#	I _{FP}	100	100	mA
Reverse Voltage	V _R	5	5	V
Power Dissipation	P _D	102	72	mW
Operating Temperature	T _{opr}	-30 ~ +85		°C
Storage Temperature	T _{stg}	-40 ~ +100		°C
Lead Soldering Temperature	T _{sol}	260°C/5sec		-

#Pulse width Max.10ms Duty ratio max 1/10

■ Directivity



■ Electrical -Optical Characteristics (Ta=25°C)

3mm Pre-wired LED	OSR63134A-W20	OSY53134A-W20	OSG83134A-W20	OSB53134A-W20	OSM53131A-W20	OSW53131A-W20
LED P/N	OSR63134A-W20	OSY53134A-W20	OSG83134A-W20	OSB53134A-W20	OSM53131A-W20	OSW53131A-W20
Light Color	Red	Yellow	Yellow Green	Blue	Warm White	Cool White
Lens Color	Red Diffused	Yellow Diffused	Green Diffused	Blue Diffused	Water Clear	Water Clear
Wavelength*1/Color Temperature*2	620-640nm	585-595nm	565-575nm	462.5-472.5nm	2700-3300K	8500-18000K
Luminous Intensity(typ.)*3	330mcd	420mcd	55mcd	2500mcd	14400mcd	14400mcd
Forward Voltage*4	1.8-2.4V	1.8-2.4V	1.8-2.4V	2.7-3.4V	2.7-3.4V	2.7-3.4V
Forward Current	20mA	20mA	20mA	20mA	20mA	20mA
Viewing Angle(typ.)	30°	30°	30°	30°	30°	30°
Wire length(mm)	200±10	200±10	200±10	200±10	200±10	200±10
Quantity(pcs)/Box	10	10	10	10	10	10

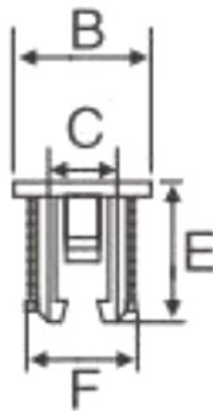
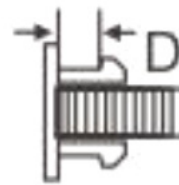
*1 Tolerance of measurements of dominant wavelength is ±1nm
 *2 Tolerance of measurements of color temperature is ±10%
 *3 Tolerance of measurements of luminous intensity is ±15%
 *4 Tolerance of measurements of forward voltage is ±0.1V

Material	NYLON66
Color	Black
Fireproofing Grade	94V-2
Tolerance	±0.2mm

Product Information & Outline Dimension:

Item	A	B	C	D	E	F
3mm LED Mounting Clip	Φ4.5	Φ6.0	Φ3.1	1.4	6.0	Φ4.4
5mm LED Mounting Clip	Φ6.4	Φ7.8	Φ5.1	1.5	7.5	Φ6.0

Unit: mm



Drilling machine plate

■ Specifications

Power Rating	Maximum Working Voltage	Maximum Overload Voltage	Dimension (mm)					Resistance Range
			A	B	C	D	E	
1/4W	250V	500V	45±3	19.5±3	6.0±1	0.35±0.1	2.3±0.3	0.1E-22M

■ Color Coding

Color	1 st digit	2 nd digit	Multiplier	Tolerance
Black	0	0	1Ω	
Silver			0.01Ω	±10%
Golden			0.1Ω	±5%
Brown	1	1	10Ω	±1%
Red	2	2	100Ω	±2%
Orange	3	3	1KΩ	
Yellow	4	4	10KΩ	
Green	5	5	100KΩ	±0.5%
Blue	6	6	1MΩ	±0.25%
Violet	7	7	10MΩ	±0.1%
Gray	8	8		
White	9	9		

