

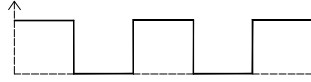
■ Description

This LED is Single Flashing LED. It takes turns flashing with 1.5Hz and the duty cycle is 1/2 when this LED is powered with DC3-5V

■ Features

- High Luminous LED
- UV Resistant Epoxy
- Water Clear Type
- Single Flashing Type

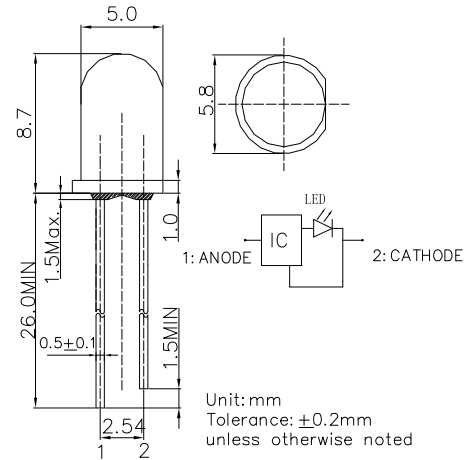
■ Flashing Waveform



■ Applications

- Toys
- Games
- Audio / Other Lighting

■ Outline Dimension

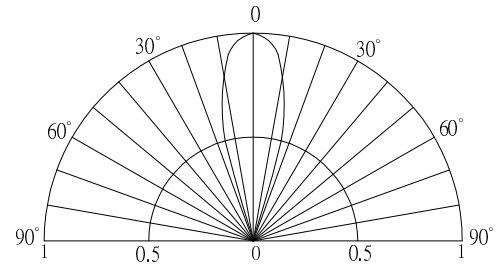


■ Absolute Maximum Rating

(Ta=25°C)

Item	Symbol	Value	Unit
Power Supply	Voltage	5	V
Duty Cycle	Duty	1/2	-
Operating Temperature	Topr	-30 ~ +85	°C
Storage Temperature	Tstg	-40~ +100	°C
Lead Soldering Temperature	Tsol	260°C/5sec	-

■ Directivity



■ Electrical -Optical Characteristics (Ta=25°C)

Part Number	Color	VF (V)			Iv(mcd)*			λD(nm)/CCT(K)*			Fled (Hz)*	2θ1/2(deg)
		Min.	Typ.	Max.	Min.	Typ.	Max.	Min.	Typ.	Max.	Typ.	Typ
VF = 3.5V												
OSR5MF5A31A	Red	3.0	3.5	5.0	3000	4200	-	620	625	630	1.5	30
OSY5MF5A31A	Yellow	3.0	3.5	5.0	3000	4200	-	585	590	595		
OSB5SF5A31A	Blue	3.0	3.5	5.0	1560	2180	-	462.5	467.5	472.5		
OSG5DF5A31A	Pure Green	3.0	3.5	5.0	5800	7000	-	520	525	530		
OSW5DF5A31A	Cool White	3.0	3.5	5.0	7000	8400	-	CCT:8000-18000K				
OSM5DF5A31A	Warm White	3.0	3.5	5.0	7000	8400	-	CCT:2700-3300K				

*1 Tolerance of measurements of chromaticity coordinates is ±10%

*2 Tolerance of measurements of dominant wavelength is ±1nm

*3 Tolerance of measurements of luminous intensity is ±15%

*4 Tolerance of measurements of forward voltage is ±0.1V

*5 Tolerance of measurements of Frequency is ±20%