

■Description

- This LED builds with internal resistor to operate with wide operation voltage of DC3-15V
- 50pcs are supplied in a storage box
- Easy to use and storage, user-friendly
- Widely applied to project design, Arduino/Pi Pico/Steam kit, TTL/Cmos compatible applications

■Product Picture

50pcs/Box (Dimensions: 90*65*30mm)



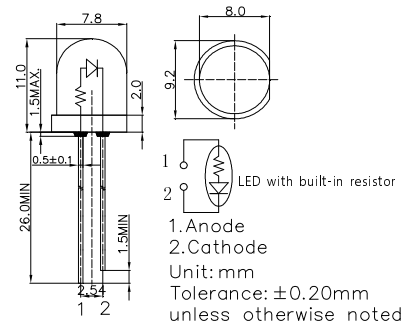
■Features

- Wide Input Voltage
- Cost Saving and Space Saving
- White Diffused Type
- Warm White Color

■Applications

- Toys/Game/Audio
- TTL/Cmos Compatible
- Arduino/Pi Pico/Steam Kit
- Other Electronics Products

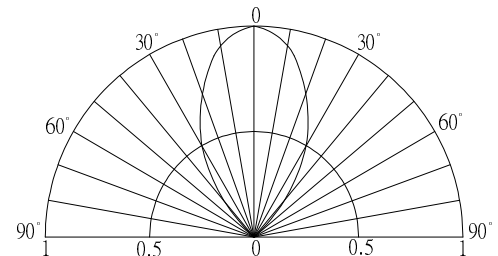
■Outline Dimension



■Absolute Maximum Rating (Ta=25°C)

Item	Symbol	Value	Unit
DC Forward Voltage	V _F	15	V
Reverse Voltage	V _R	12	V
Power Dissipation	P _D	190	mW
Operating Temperature	T _{opr}	-30 ~ +85	°C
Storage Temperature	T _{stg}	-40~ +100	°C
Lead Soldering Temperature	T _{sol}	260°C/5sec	-

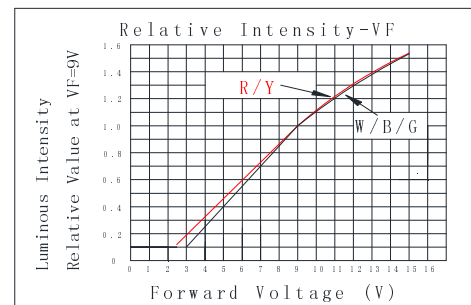
■Directivity



■Electrical -Optical Characteristics (Ta=25°C)

8mm Multi-Voltage LED	
LED P/N	OSM58162A-VV
Light Color	Warm White
Lens Color	White Diffused
Color Temperature*1	2700-3300K
Luminous Intensity(typ.)*2	400mcd
Forward Voltage(typ.)	9V
Forward Current(typ.)*3	7.5mA
Viewing Angle(typ.)	60°
Quantity(pcs)/Box	50

■Optical Characteristic Curves



*1 Tolerance of measurements of color temperature is ±10%

*2 Tolerance of measurements of luminous intensity is ±15%

*3 Tolerance of measurements of forward current ±1mA