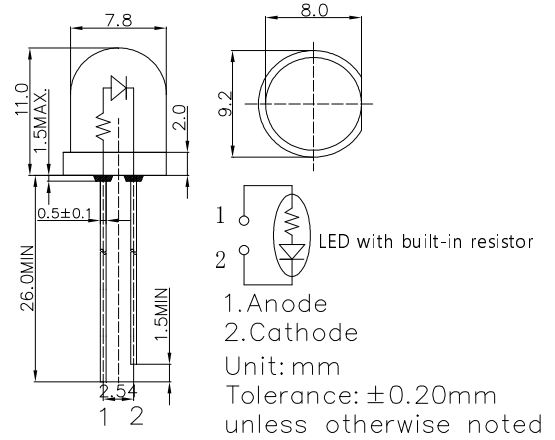


■Description

This LED builds with internal resistor to operate with wide operation voltage of DC3-15V.

■Outline Dimension



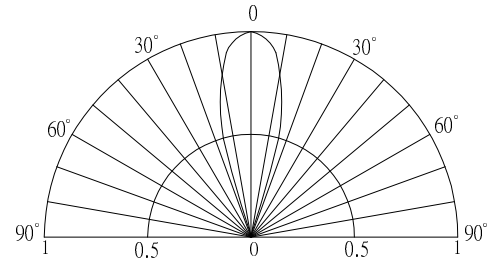
■Features

- Wide Input Voltage
- Cost Saving and Space Saving
- Color Transparent Type
- Single Color

■Applications

- Toys/Game/Audio
- TTL/Cmos Compatible
- Arduino/Pi Pico/Steam Kit
- Other Electronics Products

■Directivity

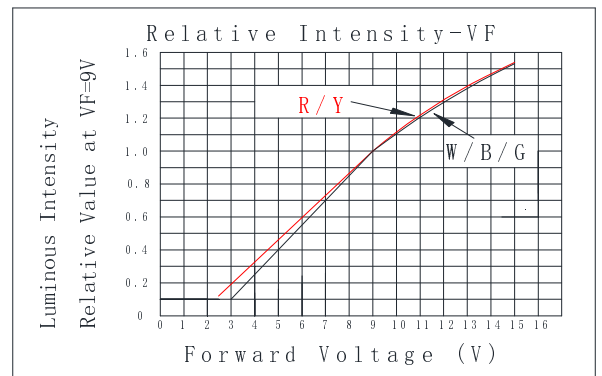


■Absolute Maximum Rating

(Ta=25°C)

Item	Symbol	Value	Unit
DC Forward Voltage	V _F	15	V
Reverse Voltage	V _R	12	V
Power Dissipation	P _D	190	mW
Operating Temperature	Topr	-30 ~ +85	°C
Storage Temperature	Tstg	-40~ +100	°C
Lead Soldering Temperature	Tsol	260°C/5sec	-

■Optical Characteristic Curves



■Electrical -Optical Characteristics

(Ta=25°C)

8mm Multi-Voltage LED						
LED P/N	OSR58133A-VV	OSY58133A-VV	OSB58133A-VV	OSG58133A-VV	OSM58131A-VV	OSW58131A-VV
Light Color	Red	Yellow	Blue	Pure Green	Warm White	Cool White
Lens Color	Red Transparent	Yellow Transparent	Blue Transparent	Green Transparent	Water Clear	Water Clear
Wavelength*1/Color Temperature*2	620-630nm	585-595nm	465-475nm	520-530nm	2700-3300K	8500-18000K
Luminous Intensity(typ.)*3	4200mcd	4200mcd	2500mcd	7000mcd	7000mcd	7000mcd
Forward Voltage(typ.)	9V	9V	9V	9V	9V	9V
Forward Current(typ.)	8mA	8mA	7.5mA	7.5mA	7.5mA	7.5mA
Viewing Angle(typ.)	30°	30°	30°	30°	30°	30°

*1 Tolerance of measurements of dominant wavelength is ±1nm
 *2 Tolerance of measurements of color temperature is ±10%
 *3 Tolerance of measurements of luminous intensity is ±15%