

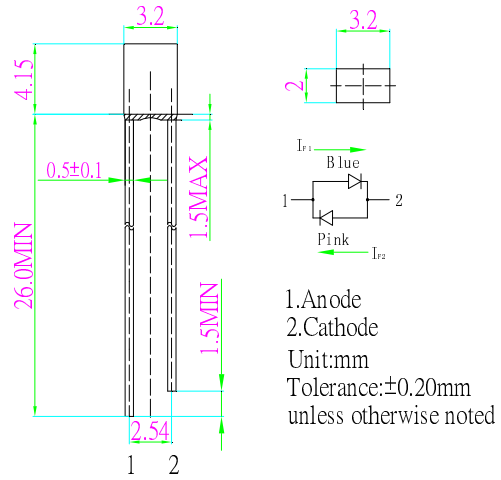
■Features

- High Luminous LEDs
- 2*3*4mm Rectangular Standard Directivity
- Long Lifetime Operation
- UV Resistant Epoxy
- Water Clear Type

■Applications

- Toys
- Audio
- Games
- Other Lighting

■Outline Dimension



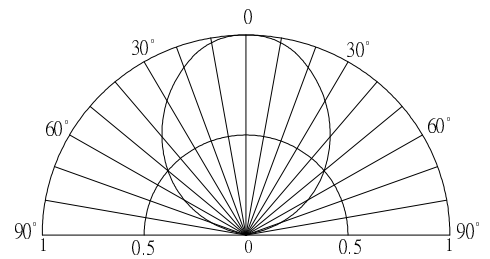
■Absolute Maximum Rating

(Ta=25°C)

Item	Symbol	Value		Unit
		Blue	Pink	
DC Forward Current	I _F	30	30	mA
Pulse Forward Current#	I _{FP}	100	100	mA
Reverse Voltage	V _R	5	5	V
Power Dissipation	P _D	102	102	mW
Operating Temperature	T _{opr}	-30 ~ +85		°C
Storage Temperature	T _{stg}	-40~ +100		°C
Lead Soldering Temperature	T _{sol}	260°C/5sec		-

#Pulse width Max.10ms Duty ratio max 1/10

■Directivity



■Electrical -Optical Characteristics

(Ta=25°C)

Item	Color.	Symbol	Condition	Min.	Typ.	Max.	Unit
DC Forward Voltage*	Blue	V _{F1}	I _{F1} =20mA	2.7	3.0	3.4	V
	Pink	V _{F2}	I _{F2} =20mA	2.7	3.0	3.4	V
Domi. Wavelength*	Blue	λ _{D1}	I _{F1} =20mA	465	470	475	nm
Chromaticity Coordinates*	Pink	x	I _F =20mA	-	0.45		
	Pink	y	I _F =20mA	-	0.17		
Luminous Intensity*	Blue	I _{v1}	I _{F1} =20mA	330	500	-	mcd
	Pink	I _{v2}	I _{F2} =20mA	150	220	-	mcd
50%Power Angle	Blue	2θ _{1/2}	I _{F1} =20mA	-	100	-	deg
	Pink	2θ _{1/2}	I _{F2} =20mA	-	100	-	deg

*1 Tolerance of measurements of dominant wavelength is ±1nm

*2 Tolerance of measurements of Luminous Intensity is ±15%

*3 Tolerance of measurements of forward voltage is ±0.1