

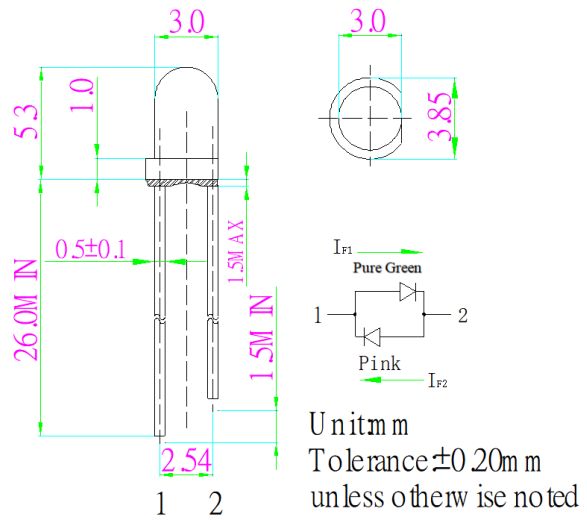
■Features

- High Luminous LEDs
- 3mm Round Standard Directivity
- Long Lifetime Operation
- UV Resistant Epoxy
- White Diffused Type

■Applications

- Toys
- Audio
- Games
- Other Lighting

■Outline Dimension



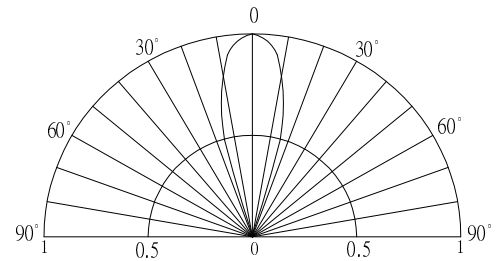
■Absolute Maximum Rating

(Ta=25°C)

Item	Symbol	Value		Unit
		Pure Green	Pink	
DC Forward Current	I _F	30	30	mA
Pulse Forward Current#	I _{FP}	100	100	mA
Reverse Voltage	V _R	5	5	V
Power Dissipation	P _D	108	108	mW
Operating Temperature	T _{opr}	-30 ~ +85		°C
Storage Temperature	T _{stg}	-40 ~ +100		°C
Lead Soldering Temperature	T _{sol}	260°C/5sec		-

#Pulse width Max.10ms Duty ratio max 1/10

■Directivity



■Electrical -Optical Characteristics

(Ta=25°C)

Item	NO.	Symbol	Condition	Min.	Typ.	Max.	Unit
DC Forward Voltage*	Pure Green	V _{F1}	I _{F1} =20mA	-	3.1	3.6	V
	Pink	V _{F2}	I _{F2} =20mA	-	3.1	3.6	V
Domi. Wavelength*	Pure Green	λ _{D1}	I _{F1} =20mA	520	525	530	nm
Chromaticity Coordinates*	Pink	x	I _{F1} =20mA	-	0.45	-	
		y	I _{F1} =20mA	-	0.17	-	
Luminous Intensity*	Pure Green	IV 1	I _{F1} =20mA	2180	3000	-	mcd
	Pink	IV 2	I _{F2} =20mA	1120	1560	-	mcd
50% Power Angle	Pure Green	2θ1/2	I _{F1} =20mA	-	30	-	deg
	Pink	2θ1/2	I _{F2} =20mA	-	30	-	deg

*1 Tolerance of measurements of color temperature $\pm 10\%$

*2 Tolerance of measurements of dominant wavelength is ± 1 nm

*3 Tolerance of measurements of luminous intensity is $\pm 15\%$

*4 Tolerance of measurements of forward voltage is ± 0.1 V