

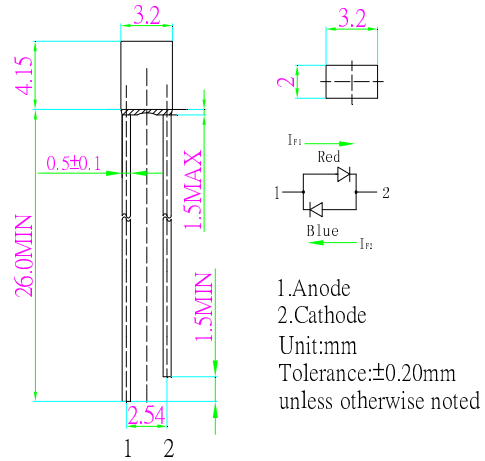
■Features

- High Luminous LEDs
- 2*3*4mm Rectangular Standard Directivity
- Long Lifetime Operation
- UV Resistant Epoxy
- Water Clear Type

■Applications

- Toys
- Audio
- Games
- Other Lighting

■Outline Dimension



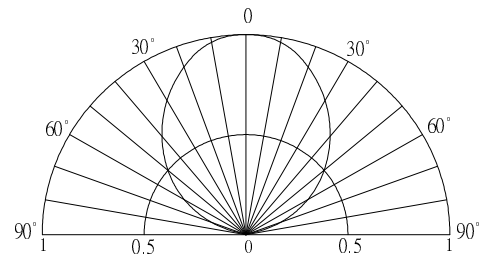
■Absolute Maximum Rating

(Ta=25°C)

| Item | Symbol | Value | | Unit |
|----------------------------|-----------------|------------|-----|------|
| | | RED | BL | |
| DC Forward Current | I _F | 50 | 30 | mA |
| Pulse Forward Current# | I _{FP} | 100 | 100 | mA |
| Reverse Voltage | V _R | 5 | 5 | V |
| Power Dissipation | P _D | 130 | 102 | mW |
| Operating Temperature | Topr | -30 ~ +85 | | °C |
| Storage Temperature | Tstg | -40~ +100 | | °C |
| Lead Soldering Temperature | Tsol | 260°C/5sec | | - |

#Pulse width Max.10ms Duty ratio max 1/10

■Directivity



■Electrical -Optical Characteristics

(Ta=25°C)

| Item | Color. | Symbol | Condition | Min. | Typ. | Max. | Unit |
|---------------------|--------|-------------------|-----------------------|------|------|------|------|
| DC Forward Voltage* | RED | V _{F1} | I _{F1} =20mA | 1.8 | 2.1 | 2.6 | V |
| | BL | V _{F2} | I _{F2} =20mA | 2.7 | 3.0 | 3.4 | V |
| Domi. Wavelength* | RED | λ _{D1} | I _{F1} =20mA | 620 | 625 | 630 | nm |
| | BL | λ _{D2} | I _{F2} =20mA | 465 | 470 | 475 | nm |
| Luminous Intensity* | RED | I _{V1} | I _{F1} =20mA | 500 | 750 | - | mcd |
| | BL | I _{V2} | I _{F2} =20mA | 330 | 500 | - | mcd |
| 50%Power Angle | RED | 2θ _{1/2} | I _{F1} =20mA | - | 100 | - | deg |
| | BL | 2θ _{1/2} | I _{F2} =20mA | - | 100 | - | deg |

*1 Tolerance of measurements of dominant wavelength is ±1nm

*2 Tolerance of measurements of Luminous Intensity is ±15%

*3 Tolerance of measurements of forward voltage is ±0.1