

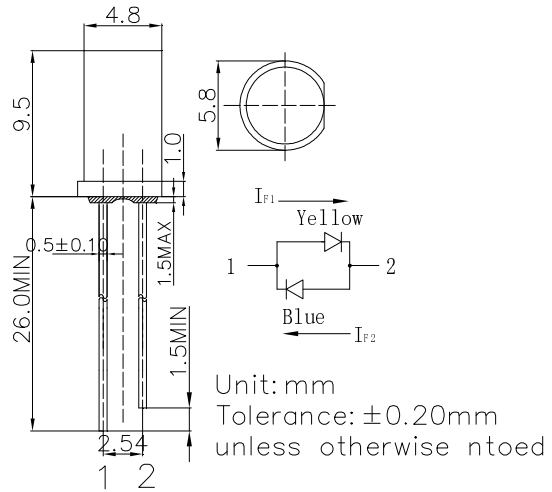
■Features

- High Luminous LEDs
- 5mm Cylinder Standard Directivity
- Long Lifetime Operation
- UV Resistant Epoxy
- Water Clear Type
- Bi-polar Type

■Applications

- Toys
- Audio
- Games
- Other Lighting

■Outline Dimension



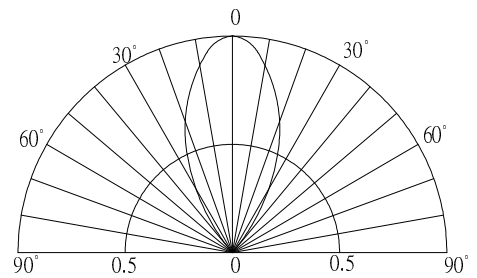
■Absolute Maximum Rating

(Ta=25°C)

| Item | Symbol | Value | | Unit |
|----------------------------|------------------|------------|------|------|
| | | Yellow | Blue | |
| DC Forward Current | I _F | 50 | 30 | mA |
| Pulse Forward Current# | I _{FP} | 100 | 100 | mA |
| Reverse Voltage | V _R | 5 | 5 | V |
| Power Dissipation | P _D | 130 | 102 | mW |
| Operating Temperature | T _{opr} | -30 ~ +85 | | °C |
| Storage Temperature | T _{stg} | -40 ~ +100 | | °C |
| Lead Soldering Temperature | T _{sol} | 260°C/5sec | | - |

#Pulse width Max.10ms Duty ratio max 1/10

■Directivity



■Electrical -Optical Characteristics

(Ta=25°C)

| Item | Symbol | Condition | Min. | Typ. | Max. | Unit |
|----------------------|-------------------------|-----------------------|------|------|------|------|
| DC Forward Voltage*1 | V _F (Yellow) | I _{F1} =20mA | - | 2.1 | 2.6 | V |
| | V _F (Blue) | I _{F2} =20mA | - | 2.9 | 3.4 | V |
| Domi. Wavelength*2 | λ _D (Yellow) | I _{F1} =20mA | 585 | 590 | 595 | nm |
| | λ _D (Blue) | I _{F2} =20mA | 465 | 470 | 475 | nm |
| Luminous Intensity*3 | I _V (Yellow) | I _{F1} =20mA | 750 | 1120 | - | mcd |
| | I _V (Blue) | I _{F2} =20mA | 500 | 750 | - | mcd |
| 50%Power Angle | 2θ _{1/2} | I _{F1} =20mA | - | 50 | - | deg |

*1 Tolerance of measurements of forward voltage is ±0.1V

*2 Tolerance of measurements of Domi. wavelength is ±1nm

*3 Tolerance of measurements of luminous intensity is ±15%