

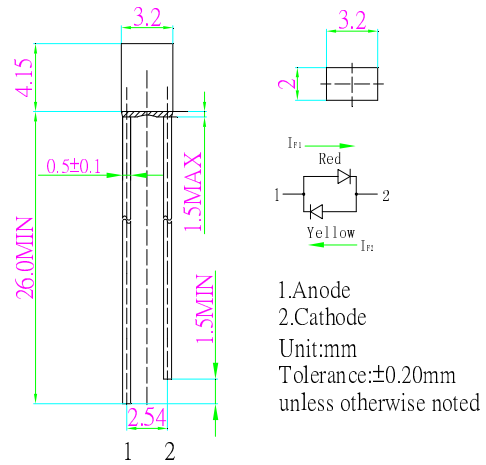
■Features

- High Luminous LEDs
- 2*3*4mm Rectangular Standard Directivity
- Long Lifetime Operation
- UV Resistant Epoxy
- Water Clear Type

■Applications

- Toys
- Audio
- Games
- Other Lighting

■Outline Dimension



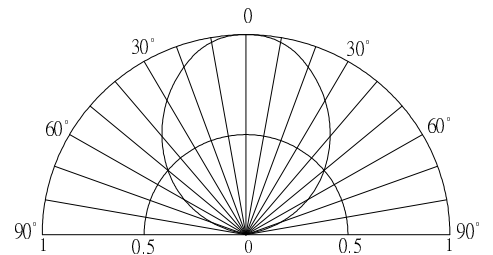
■Absolute Maximum Rating

(Ta=25°C)

Item	Symbol	Value		Unit
		RED	YL	
DC Forward Current	IF	50	50	mA
Pulse Forward Current#	IFP	100	100	mA
Reverse Voltage	VR	5	5	V
Power Dissipation	PD	130	130	mW
Operating Temperature	Topr	-30 ~ +85		°C
Storage Temperature	Tstg	-40 ~ +100		°C
Lead Soldering Temperature	Tsol	260°C/5sec		-

#Pulse width Max.10ms Duty ratio max 1/10

■Directivity



■Electrical -Optical Characteristics

(Ta=25°C)

Item	Color.	Symbol	Condition	Min.	Typ.	Max.	Unit
DC Forward Voltage*	RED	VF1	IF1=20mA	1.8	2.1	2.6	V
	YL	VF2	IF2=20mA	1.8	2.1	2.6	V
Domi. Wavelength*	RED	λD1	IF1=20mA	620	625	630	nm
	YL	λD2	IF2=20mA	585	590	595	nm
Luminous Intensity*	RED	IV1	IF1=20mA	500	750	-	mcd
	YL	IV2	IF2=20mA	500	750	-	mcd
50%Power Angle	RED	2θ1/2	IF1=20mA	-	100	-	deg
	YL	2θ1/2	IF2=20mA	-	100	-	deg

*1 Tolerance of measurements of dominant wavelength is ±1nm

*2 Tolerance of measurements of Luminous Intensity is ±15%

*3 Tolerance of measurements of forward voltage is ±0.1