

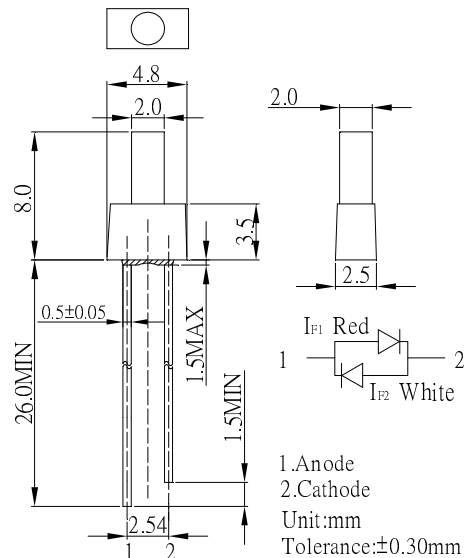
■Features

- High Luminous LEDs
- 2.0mm Tower Standard Directivity
- UV Resistant Epoxy
- White Diffused Type

■Applications

- Toys
- Games
- Audio
- Other Lighting

■Outline Dimension

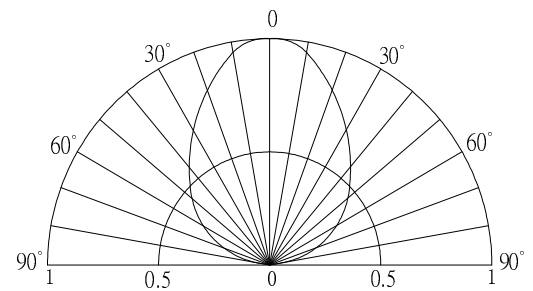


■Absolute Maximum Rating

(Ta=25°C)

Item	Symbol	Value		Unit
		Red	White	
DC Forward Current	I _F	30	30	mA
Pulse Forward Current#	I _{FP}	100	100	mA
Reverse Voltage	V _R	5	5	V
Power Dissipation	P _D	78	108	mW
Operating Temperature	T _{opr}	-30~ +85		°C
Storage Temperature	T _{stg}	-40 ~ +100		°C
Lead Soldering Temperature	T _{sol}	260°C/5sec		-

■Directivity



#Pulse width Max.10ms Duty ratio max 1/10

■Electrical -Optical Characteristics

(Ta=25°C)

Item	Symbol	Condition	Min.	Typ.	Max.	Unit
DC Forward Voltage*	V _{F1} (Red)	I _F =20mA	1.8	2.1	2.6	V
	V _{F2} (W)	I _F =20mA	2.9	3.1	3.6	V
Domi. Wavelength*	λ _{D1} (Red)	I _F =20mA	620	625	630	nm
	CCT (W)	I _F =20mA	10000K			
Luminous Intensity*	I _{v1} (Red)	I _F =20mA	330	500		mcd
	I _{v2} (W)	I _F =20mA	750	1120	-	mcd
50% Power Angle	2θ _{1/2}	I _F =20mA	-	90	-	deg

*1 Tolerance of measurements of chromaticity coordinate is ±10%

*2 Tolerance of measurements of dominant wavelength is ±1nm

*3 Tolerance of measurements of luminous intensity is ±15%

*4 Tolerance of measurements of forward voltage is ±0.1V