

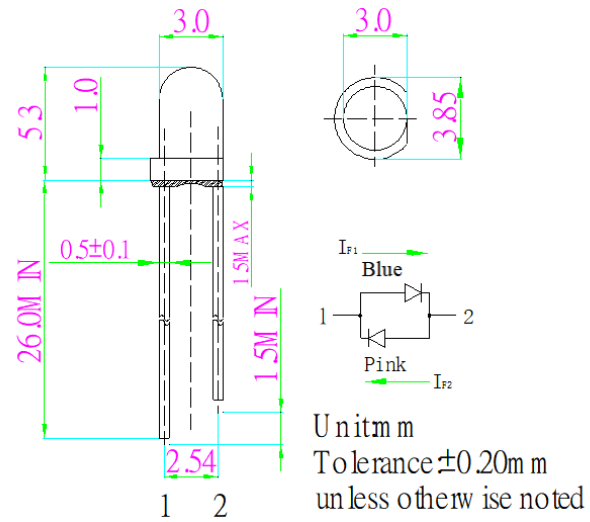
**■Features**

- High Luminous LEDs
- 3mm Round Standard Directivity
- Long Lifetime Operation
- UV Resistant Epoxy
- White Diffused Type

**■Applications**

- Toys
- Audio
- Games
- Other Lighting

**■Outline Dimension**



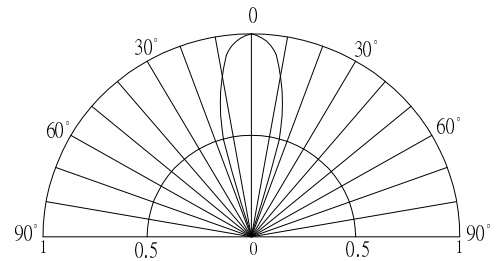
**■Absolute Maximum Rating**

(Ta=25°C)

Item	Symbol	Value		Unit
		Blue	Pink	
DC Forward Current	I <sub>F</sub>	30	30	mA
Pulse Forward Current#	I <sub>FP</sub>	100	100	mA
Reverse Voltage	V <sub>R</sub>	5	5	V
Power Dissipation	P <sub>D</sub>	108	108	mW
Operating Temperature	T <sub>opr</sub>	-30 ~ +85		°C
Storage Temperature	T <sub>stg</sub>	-40 ~ +100		°C
Lead Soldering Temperature	T <sub>sol</sub>	260°C/5sec		-

#Pulse width Max.10ms Duty ratio max 1/10

**■Directivity**



**■Electrical -Optical Characteristics**

(Ta=25°C)

Item	NO.	Symbol	Condition	Min.	Typ.	Max.	Unit
DC Forward Voltage*	Blue	V <sub>F1</sub>	I <sub>F1</sub> =20mA	-	3.1	3.6	V
	Pink	V <sub>F2</sub>	I <sub>F2</sub> =20mA	-	3.1	3.6	V
Domi. Wavelength*	Blue	λ <sub>D1</sub>	I <sub>F1</sub> =20mA	465	470	475	nm
Chromaticity Coordinates*	Pink	x	I <sub>F1</sub> =20mA	-	0.45	-	
		y	I <sub>F1</sub> =20mA	-	0.17	-	
Luminous Intensity*	Blue	IV 1	I <sub>F1</sub> =20mA	1560	2180	-	mcd
	Pink	IV 2	I <sub>F2</sub> =20mA	1120	1560	-	mcd
50% Power Angle	Blue	2θ1/2	I <sub>F1</sub> =20mA	-	30	-	deg
	Pink	2θ1/2	I <sub>F2</sub> =20mA	-	30	-	deg

\*1 Tolerance of measurements of color temperature  $\pm 10\%$

\*2 Tolerance of measurements of dominant wavelength is  $\pm 1$ nm

\*3 Tolerance of measurements of luminous intensity is  $\pm 15\%$

\*4 Tolerance of measurements of forward voltage is  $\pm 0.1$ V