

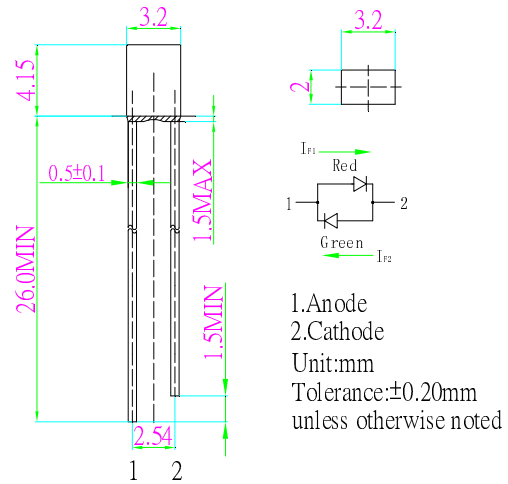
### ■Features

- High Luminous LEDs
- 3mm Round Standard Directivity
- Long Lifetime Operation
- UV Resistant Epoxy
- Water Clear Type

### ■Applications

- Toys
- Audio
- Games
- Other Lighting

### ■Outline Dimension



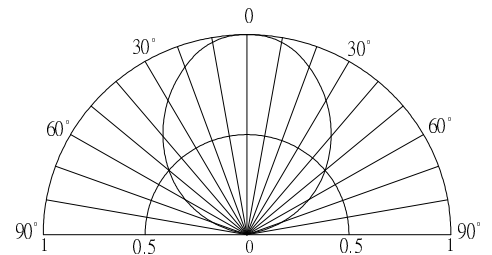
### ■Absolute Maximum Rating

(Ta=25°C)

Item	Symbol	Value		Unit
		RED	PG	
DC Forward Current	I <sub>F</sub>	50	30	mA
Pulse Forward Current#	I <sub>FP</sub>	100	100	mA
Reverse Voltage	V <sub>R</sub>	5	5	V
Power Dissipation	P <sub>D</sub>	130	102	mW
Operating Temperature	Topr	-30 ~ +85		°C
Storage Temperature	Tstg	-40~ +100		°C
Lead Soldering Temperature	Tsol	260°C/5sec		-

#Pulse width Max.10ms Duty ratio max 1/10

### ■Directivity



### ■Electrical -Optical Characteristics

(Ta=25°C)

Item	Color.	Symbol	Condition	Min.	Typ.	Max.	Unit
DC Forward Voltage*	RED	V <sub>F1</sub>	I <sub>F1</sub> =20mA	1.8	2.1	2.6	V
	PG	V <sub>F2</sub>	I <sub>F2</sub> =20mA	2.7	3.0	3.4	V
Domi. Wavelength*	RED	λ <sub>D1</sub>	I <sub>F1</sub> =20mA	620	625	630	nm
	PG	λ <sub>D2</sub>	I <sub>F2</sub> =20mA	520	525	530	nm
Luminous Intensity*	RED	I <sub>V1</sub>	I <sub>F1</sub> =20mA	500	750	-	mcd
	PG	I <sub>V2</sub>	I <sub>F2</sub> =20mA	750	1120	-	mcd
50%Power Angle	RED	2θ <sub>1/2</sub>	I <sub>F1</sub> =20mA	-	100	-	deg
	PG	2θ <sub>1/2</sub>	I <sub>F2</sub> =20mA	-	100	-	deg

\*1 Tolerance of measurements of dominant wavelength is ±1nm

\*2 Tolerance of measurements of Luminous Intensity is ±15%

\*3 Tolerance of measurements of forward voltage is ±0.1