

■Features

- Single chip
- Super high brightness of surface mount LED
- Compact package outline
(L x W x T) of 3.2mm x 1.0mm x1.5mm
- Compatible to IR reflow soldering.

■Applications

- Backlighting (switches, keys, etc.)
- Marker lights (e.g. steps, exit ways, etc.)

■Absolute Maximum Rating

(Ta=25°C)

Item	Symbol	Value		Unit
		WA/M5/K4/B5/G5	G8/Y5/O5/R5	
DC Forward Current	IF	20	20	mA
Pulse Forward Current#	IFP	100	80	mA
Reverse Voltage	VR	5	5	V
Power Dissipation	Pd	68	48	mW
Operating Temperature	Topr	-40 ~ +85		°C
Storage Temperature	Tstg	-40~ +85		°C
Lead Soldering Temperature	Tsol	260°C/10sec		-

#Pulse width Max 0.1ms, Duty ratio max 1/10

■Electrical -Optical Characteristics

(Ta=25°C)

Part Number	Color		VF (V)			IR(μA)	IV(mcd)			λD(nm)			2θ1/2(deg)
			Min.	Typ.	Max.	Max.	Min.	Typ.	Max.	Min.	Typ.	Max.	Typ.
			IF=10mA			VR=5V	IF=10mA						
OSWA1204C1E	White	WA	-	2.8	3.4	10	150	250	-	8200K	10500K	12500K	120
OSM51204C1E	Warm White	M5	-	2.8	3.4	10	150	250	-	2700K	2900K	3300K	120
OSK41204C1E	Pink	K4	-	2.8	3.4	10	50	100	-	-	X:0.22 Y:0.08	-	120
OSB51204C1E	Blue	B5	-	2.8	3.4	10	70	110	-	462	467	472	120
OSG51204C1E	True Green	G5	-	2.8	3.4	10	200	350	-	518	522	526	120
OSG81204C1E	Yellow Green	G8	-	1.8	2.4	10	15	30	-	566	569	572	120
OSY51204C1E	Yellow	Y5	-	1.8	2.4	10	40	80	-	586	589	592	120
OSO51204C1E	Orange	O5	-	1.8	2.4	10	40	80	-	600	605	610	120
OSR51204C1E	Red	R5	-	1.8	2.4	10	40	80	-	617	621	625	120

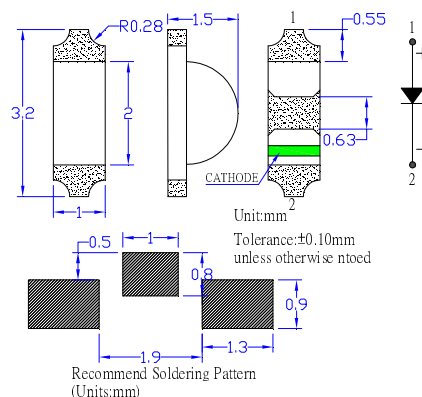
*1 Tolerance of measurements of chromaticity coordinate is ±10%

*2 Tolerance of measurements of dominant wavelength is ±1nm

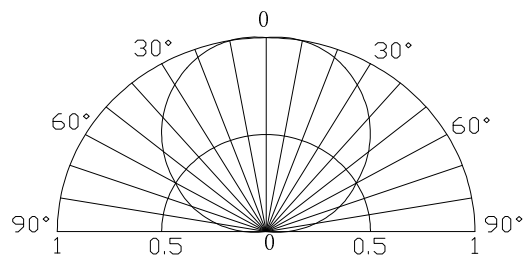
*3 Tolerance of measurements of luminous intensity is ±15%

*4 Tolerance of measurements of forward voltage is ±0.1V

■Outline Dimension



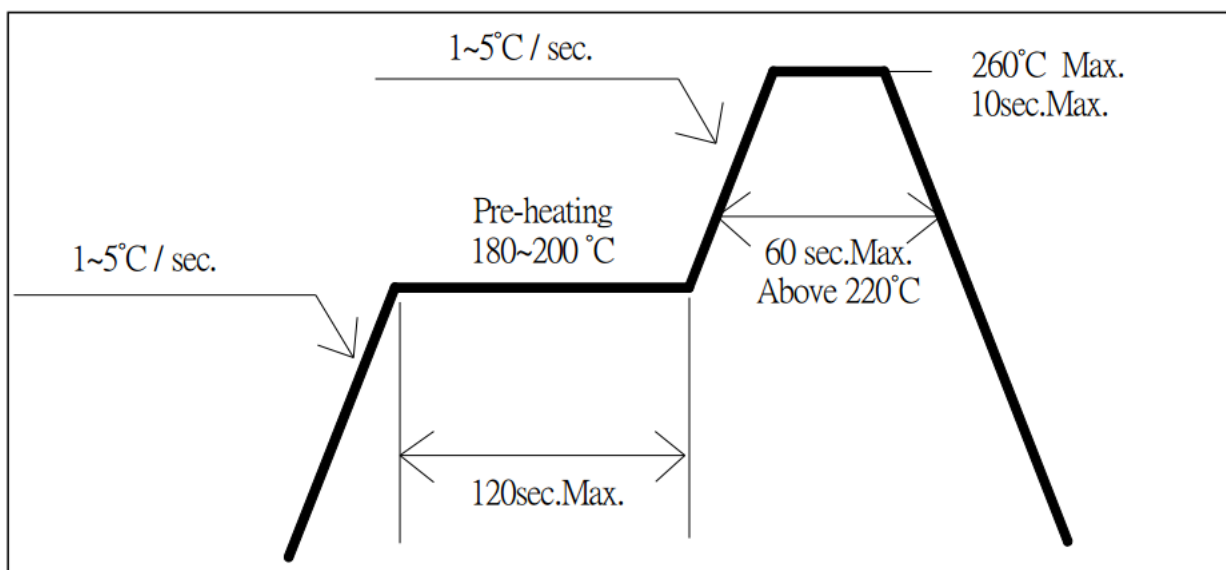
■Directivity



■ Soldering Conditions

Reflow Soldering		Hand Soldering	
Pre-Heat	180 ~ 200°C	Temperature Soldering time	350°C Max. 3 sec. Max. (one time only)
Pre-Heat Time	120 sec. Max.		
Peak temperature	260°C Max.		
Dipping Time	10 sec. Max.		
Condition	Refer to Temperature-profile		

• Reflow Soldering Condition(Lead-free Solder)



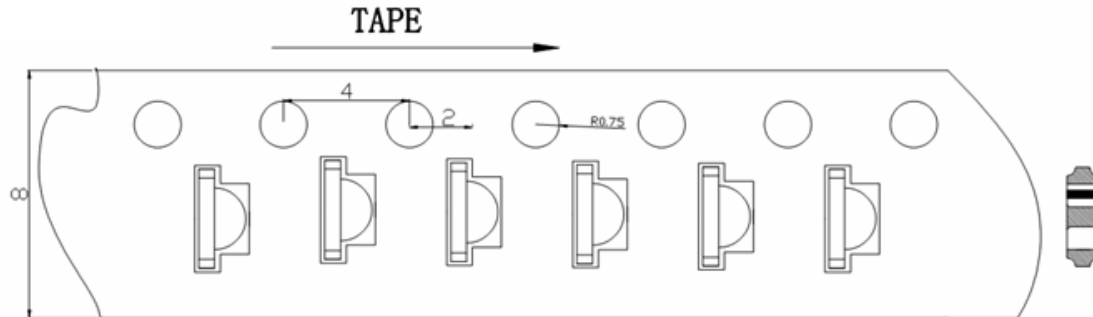
*Recommended soldering conditions vary according to the type of LED

*Although the recommended soldering conditions are specified in the above table, reflow, or hand soldering at the lowest possible temperature is desirable for the LEDs.

*A rapid-rate process is not recommended for cooling the LEDs down from the peak temperature.

- All SMD LED products are pb-free soldering available.
- Occasionally there is a brightness decrease caused by the influence of heat or ambient atmosphere during air reflow. It is recommended that the User use the nitrogen reflow method.
- Repairing should not be done after the LEDs have been soldered. When repairing is unavoidable a double-head soldering iron should be used. It should be confirmed beforehand whether the characteristics of the LEDs will or will not be damaged by repairing.
- Reflow soldering should not be done more than two times.
- When soldering, do not put stress on the LEDs during heating.
- After soldering, do not warp the circuit board.

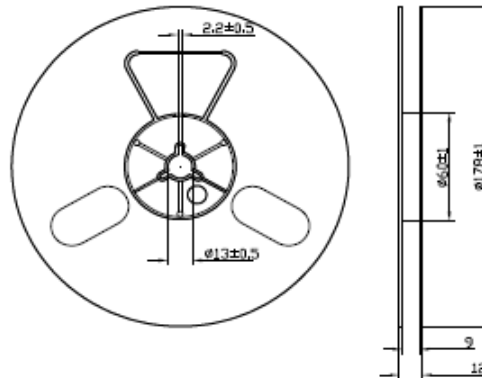
TAPING



■ **Reel Dimensions**

Notes:

1. Unit: mm
2. 3000pcs/Reel



■ **Cautions:**

1. After open the package, the LED's floor life is 4 Weeks under 30°C or less and 60%RH or less(MSL:2a).
2. Heat generation must be taken into design consideration when using the LED.
3. Power must be applied resistors for protection, over current would be caused the optic damage to the devices and wavelength shift.
4. Manual tip solder may cause the damage to Chip devices, so advised that heat of iron should be lower than 15W with temperature control under 5 seconds at 230-260 deg. C. (The device would be got damage in re working process, recommended under 5 seconds at 230-260 deg. C)
5. All equipment and machinery must be properly grounded. It is recommended to use a wristband or anti-electrostatic glove when handing the LED.
6. Use IPA as a solvent for cleaning the LED. The other solvent may dissolve the LED package and the epoxy, Ultrasonic cleaning should not be done.
7. Damaged LED will show unusual characteristics such as leak current remarkably increase, turn-on voltage becomes lower and the LED get unlight at low current.