

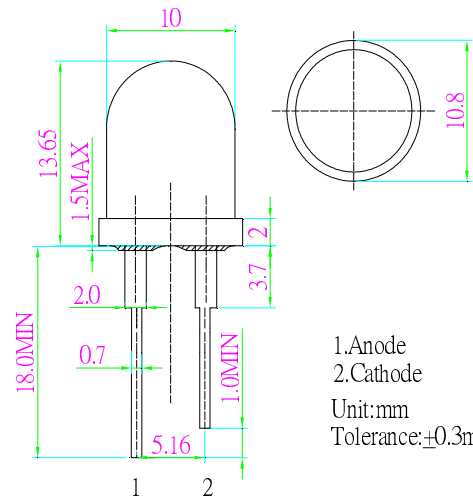
■Features

- High Lumen Flux
- 10mm Round Standard Directivity
- Long Lifetime Operation
- Superior UV Resistance
- Water Clear Type

■Applications

- Backlighting (Illuminated advertising, general lighting, etc)
- Portable (flashlight, bicycle)
- Interior and exterior automotive lighting
- Other Lighting

■Outline Dimension

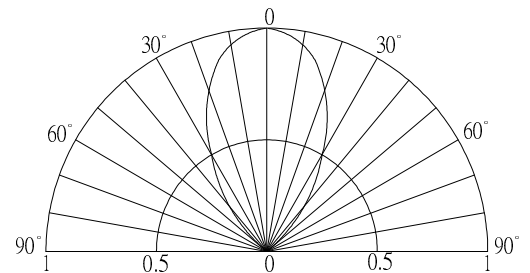


■Absolute Maximum Rating

(Ta=25°C)

Item	Symbol	Value		Unit
		W/M/B/G	R/Y	
DC Forward Current	I _F	130	130	mA
Pulse Forward Current#	I _{FP}	200	200	mA
Reverse Voltage	V _R	5	5	V
Power Dissipation	P _D	494	364	mW
Operating Temperature	Topr	-40 ~ +85		°C
Storage Temperature	Tstg	-40~ +85		°C
Lead Soldering Temperature	Tsol	260°C/5sec		-

■Directivity



#Pulse width Max 0.1ms, Duty ratio max 1/10

■Electrical -Optical Characteristics

(Ta=25°C)

Part Number	Color		V _F (V)			I _R (μA)	Φ _v (lm)*			λD(nm)*			2θ1/2(deg)
			Min.	Typ.	Max.	Max.	Min.	Typ.	Max.	Min.	Typ.	Max.	Typ.
			I _F =120mA			V _R =5V		I _F =120mA					
OSW4XAA161U	White	W	2.9	3.3	3.8	10	20	30	-	X=0.31, Y=0.33			60
OSM5XAA161U	Warm White	M	2.9	3.3	3.8	10	16	25	-	X=0.45, Y=0.41			60
OSB4XAA161U	Blue	B	2.9	3.3	3.8	10	5	7	-	455	460	465	60
OSG5XAA161U	Pure Green	G	2.9	3.3	3.8	10	18	26	-	520	525	530	60
OSY5XAA161U	Yellow	Y	1.9	2.3	2.8	10	14	18	-	585	590	595	60
OSR5XAA161U	Red	R	1.9	2.2	2.8	10	14	18	-	620	625	630	60

*1 Tolerance of measurements of chromaticity coordinate is ±10%

*2 Tolerance of measurements of dominant wavelength is ±1nm

*3 Tolerance of measurements of luminous intensity is ±15%

*4 Tolerance of measurements of forward voltage is ±0.1V