

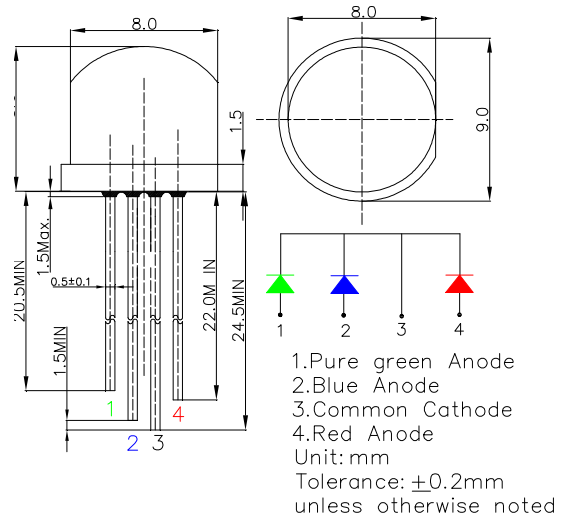
■Features

- High Luminous LEDs
- 8mm Standard Directivity
- Water Clear Type
- Common Cathode Type

■Applications

- Backlight
- Interior Lighting
- PCBA Products

■Outline Dimension

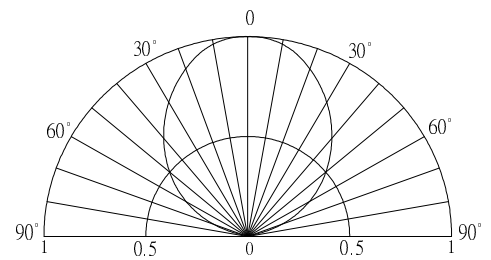


■Absolute Maximum Rating (Ta=25°C)

| Item | Symbol | Value | | Unit |
|----------------------------|-----------|------------|------------|------|
| | | Red | Green/Blue | |
| DC Forward Current | I_F | 30 | 30 | mA |
| Pulse Forward Current# | I_{FP} | 100 | 100 | mA |
| Reverse Voltage | V_R | 5 | 5 | V |
| Power Dissipation | P_D | 78 | 102 | mW |
| Operating Temperature | T_{opr} | -30 ~ +85 | | °C |
| Storage Temperature | T_{stg} | -40 ~ +100 | | °C |
| Lead Soldering Temperature | T_{sol} | 260°C/5sec | | - |

#Pulse width Max.10ms Duty ratio max 1/10

■Directivity



■Electrical -Optical Characteristics (Ta=25°C)

| Item | Symbol | Condition | Min. | Typ. | Max. | Unit |
|----------------------|--------------------|------------|------|------|------|---------|
| DC Forward Voltage*1 | $V_F(R)$ | $I_F=20mA$ | - | 2.1 | 2.6 | V |
| | $V_F(G/B)$ | $I_F=20mA$ | - | 2.9 | 3.4 | V |
| DC Reverse Current | I_R | $V_R=5V$ | - | - | 10 | μA |
| Domi. Wavelength*2 | $\lambda_D(Red)$ | $I_F=20mA$ | 620 | 625 | 630 | nm |
| | $\lambda_D(Green)$ | $I_F=20mA$ | 520 | 525 | 530 | nm |
| | $\lambda_D(Blue)$ | $I_F=20mA$ | 465 | 470 | 475 | nm |
| Luminous Intensity*3 | $I_V(Red)$ | $I_F=20mA$ | 1120 | 1560 | - | mcd |
| | $I_V(Green)$ | $I_F=20mA$ | 1560 | 2180 | - | mcd |
| | $I_V(Blue)$ | $I_F=20mA$ | 500 | 750 | - | mcd |
| 50% Power Angle | $2\theta_{1/2}$ | $I_F=20mA$ | - | 100 | - | deg |

*1 Tolerance of measurements of forward voltage is $\pm 0.1V$

*2 Tolerance of measurements of dominant wavelength is $\pm 1nm$

*3 Tolerance of measurements of luminous intensity is $\pm 15\%$