

■ **Features**

- High Luminous LEDs
- 1.8*7.05mm Tower Standard Directivity
- UV Resistant Epoxy
- Color Diffused Type (White diffused for white LEDs)

■ **Applications**

- Toys
- Games
- Audio
- Other Lighting

■ **Absolute Maximum Rating**

(Ta=25°C)

Item	Symbol	Value		Unit
		W/M/K/B/PG	YG/Y/O/R	
DC Forward Current	I _F	30	30	mA
Pulse Forward Current#	I _{FP}	100	100	mA
Reverse Voltage	V _R	5	5	V
Power Dissipation	P _D	108	78	mW
Operating Temperature	Topr	-30 ~ +85		°C
Storage Temperature	Tstg	-40~ +100		°C
Lead Soldering Temperature	Tsol	260°C/5sec		-

#Pulse width Max.10ms Duty ratio max 1/10

■ **Electrical -Optical Characteristics**

(Ta=25°C)

Part Number	Color		V _F (V)*			I _R (μA) Max.	I _v (mcd)*			λD(nm)*			2θ1/2(deg) Typ.
			Min.	Typ.	Max.		Min.	Typ.	Max.	Min.	Typ.	Max.	
			I _F =20mA				V _R =5V			I _F =20mA			
OSW5YK7232B	White	W	2.8	3.1	3.6	10	500	750	-	X=0.27,Y=0.28		30	
OSM5YK7232B	Warm White	M	2.8	3.1	3.6	10	330	500	-	X=0.45,Y=0.41		30	
OSK5YK7232B	Pink	K	2.8	3.1	3.6	10	150	220	-	X=0.45,Y=0.17		30	
OSB5YU7234B	Blue	B	2.8	3.1	3.6	10	220	330	-	465	465	475	30
OSG5TA7234B	Pure Green	PG	2.8	3.1	3.6	10	330	500	-	520	525	530	30
OSG8HA7234B	Yellow Green	YG	1.8	2.1	2.6	10	100	150	-	565	570	575	30
OSY5JA7234B	Yellow	Y	1.8	2.1	2.6	10	150	220	-	585	590	595	30
OSO5JA7234B	Orange	O	1.8	2.1	2.6	10	150	220	-	600	605	610	30
OSR5JA7234B	Red	R	1.8	2.1	2.6	10	150	220	-	620	625	630	30

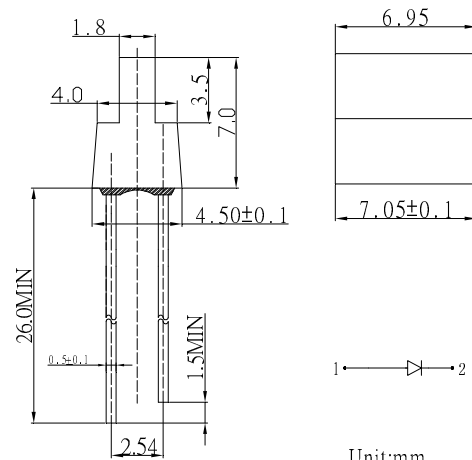
*1 Tolerance of measurements of chromaticity coordinate is ±10%

*3 Tolerance of measurements of luminous intensity is ±15%

*2 Tolerance of measurements of dominant wavelength is ±1nm

*4 Tolerance of measurements of forward voltage is ±0.1V

■ **Outline Dimension**



Unit:mm
Tolerance:±0.30mm

■ **Directivity**

