

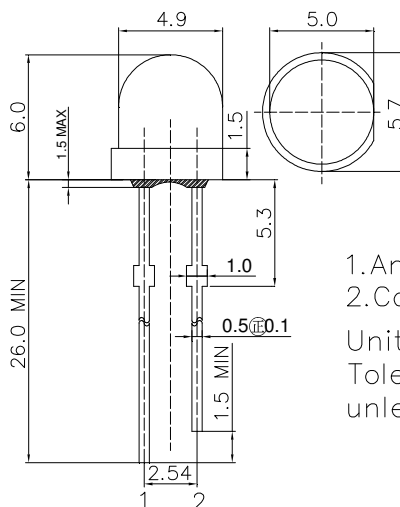
■ Features

- High Luminous LEDs
- 5mm Standard Directivity
- Long Lifetime Operation
- UV Resistant Epoxy
- Water Clear Type

■ Applications

- Electronic Signs And Signals
- Small Area Illuminations
- Back Lighting
- Other Lighting

■ Outline Dimension



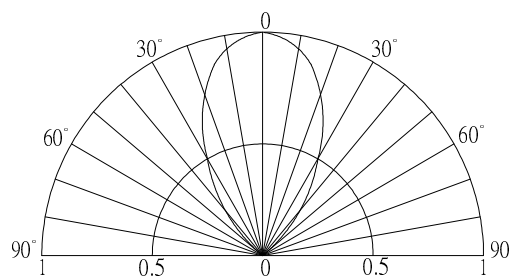
1. Anode
2. Cathode
Unit: mm
Tolerance: ± 0.20 mm
unless otherwise noted

■ Absolute Maximum Rating

(Ta=25°C)

Item	Symbol	Value		Unit
		W/M/B/G	Y/O/R	
DC Forward Current	I _F	30	30	mA
Pulse Forward Current#	I _{FP}	100	100	mA
Reverse Voltage	V _R	5	5	V
Power Dissipation	P _D	102	72	mW
Operating Temperature	T _{opr}	-30 ~ +85		°C
Storage Temperature	T _{stg}	-40 ~ +100		°C
Lead Soldering Temperature	T _{sol}	260°C/5sec		-

■ Directivity



#Pulse width Max.10ms Duty ratio max 1/10

■ Electrical -Optical Characteristics

(Ta=25°C)

Part Number	Color		V _F (V)*			I _R (μA)	I _v (mcd)*			W _d (nm)*			2θ1/2(deg)
			Min.	Typ.	Max.	Max.	Min.	Typ.	Max.	Min.	Typ.	Max.	Typ.
			I _F =20mA			V _R =5V		I _F =20mA					
OSW5DK5W61C	Cool White	W	-	2.9	3.4	10	5800	7000	-	8500-18000K(X:0.27,Y:0.28)			60
OSW4DK5W61C	Pure White	W	-	2.9	3.4	10	5800	7000	-	5500-8500K(X:0.31,Y:0.33)			60
OSM5DK5W61C	Warm White	M	-	2.9	3.4	10	4200	5800	-	2700-3300K(X:0.44,Y:0.41)			60
OSB5SA5W61C	Blue	B	-	2.9	3.4	10	1560	2180	-	465	470	475	60
OSG5DA5W61C	Pure Green	G	-	2.9	3.4	10	5800	7000	-	520	525	530	60
OSY5PA5W61C	Yellow	Y	-	2.1	2.4	10	2180	3000	-	585	590	595	60
OSO5PA5W61C	Orange	O	-	2.1	2.4	10	3000	4200	-	600	605	610	60
OSR5PA5W61C	Red	R	-	2.1	2.4	10	2180	3000	-	620	625	630	60

*1 Tolerance of measurements of chromaticity coordinate is $\pm 10\%$
 *2 Tolerance of measurements of dominant wavelength is ± 1 nm
 *3 Tolerance of measurements of luminous intensity is $\pm 15\%$
 *4 Tolerance of measurements of forward voltage is ± 0.1 V