

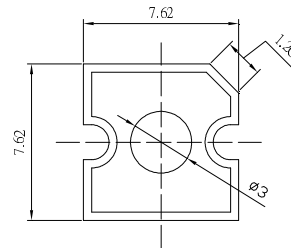
**■Features**

- High Luminous Super Flux Output
- 3  $\phi$  Standard Directivity
- Long Lifetime Operation
- Low Thermal Resistance
- UV Resistant Epoxy
- Water Clear Type

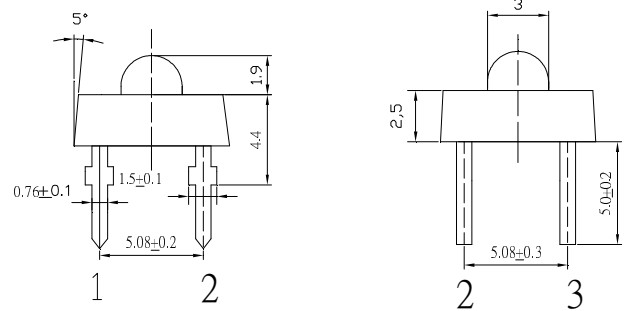
**■Applications**

- Automotive tail, stop, turn signal lamps and interior lighting
- Signage and channel letter
- Decoration and entertainment lighting
- Architectural lighting
- Other Lighting

**■Outline Dimension**



Unit:mm  
Tolerance: $\pm 0.3$ mm  
1,4 Cathode  
2,3 Anode



**■Absolute Maximum Rating**

( $T_a=25^{\circ}\text{C}$ )

Item	Symbol	Value	Unit
DC Forward Current	$I_F$	50	mA
Pulse Forward Current#	$I_{FP}$	120	mA
Reverse Voltage	$V_R$	5	V
Power Dissipation	$P_D$	130	mW
Operating Temperature	$T_{opr}$	-30 ~ +85	$^{\circ}\text{C}$
Storage Temperature	$T_{stg}$	-40 ~ +100	$^{\circ}\text{C}$
Lead Soldering Temperature	$T_{sol}$	260 $^{\circ}\text{C}/5\text{sec}$	-

#Pulse width Max.10ms Duty ratio max 1/10

**■Electrical -Optical Characteristics**

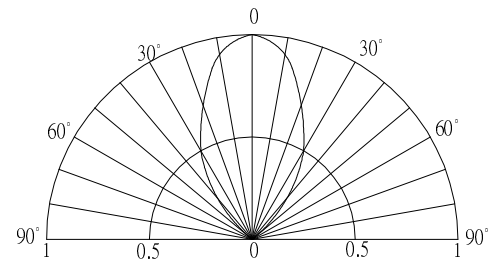
( $T_a=25^{\circ}\text{C}$ )

Item	Symbol	Condition	Min.	Typ.	Max.	Unit
DC Forward Voltage*	$V_F$	$I_F=50\text{mA}$	1.8	2.2	2.6	V
DC Reverse Current	$I_R$	$V_R=5\text{V}$	-	-	10	$\mu\text{A}$
Domi. Wavelength*	$\lambda_D$	$I_F=50\text{mA}$	600	605	610	nm
Luminous Intensity*	$I_v$	$I_F=50\text{mA}$	8400	10000	-	mcd
50% Power Angle	$2\theta_{1/2}$	$I_F=50\text{mA}$	-	60	-	deg

\*1 Tolerance of dominant wavelength is  $\pm 1\text{nm}$

\*2 Tolerance of luminous intensity is  $\pm 15\%$

**■Directivity**



**■Maximum Forward Current**

