

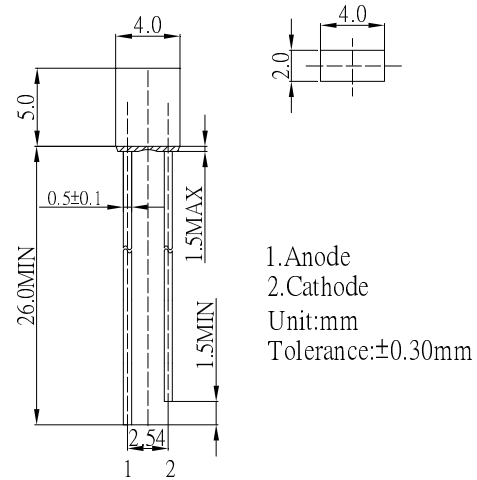
### ■Features

- High Luminous LEDs
- 2x4x5mm Rectangular Standard Directivity
- Long Lifetime Operation
- UV Resistant Epoxy
- Water Clear Type

### ■Applications

- Electronic Signs and Signals
- Small Area Illuminations
- Back Lighting
- Other Lighting

### ■Outline Dimension



### ■Absolute Maximum Rating

(Ta=25°C)

Item	Symbo l	Value		Unit
		W/M/B/PG	Y/O/R	
DC Forward Current	I <sub>F</sub>	30	30	mA
Pulse Forward Current#	I <sub>FP</sub>	100	100	mA
Reverse Voltage	V <sub>R</sub>	5	5	V
Power Dissipation	P <sub>D</sub>	108	78	mW
Operating Temperature	Topr	-40 ~ +85		°C
Storage Temperature	Tstg	-40~ +85		°C
Lead Soldering Temperature	Tsol	260°C/5sec		-

#Pulse width Max 0.1ms, Duty ratio max 1/10

### ■Electrical -Optical Characteristics

(Ta=25°C)

Part Number	Color		V <sub>F</sub> (V)*			I <sub>R</sub> (μA) Max.	I <sub>v</sub> (mcd)*			CCT/λD(nm)*			2θ1/2(deg) Typ.
			Min.	Typ.	Max.		Min.	Typ.	Max.	Min.	Typ.	Max.	
			I <sub>F</sub> =20mA			V <sub>R</sub> =5V			I <sub>F</sub> =20mA				
OSW5DK7YA1B	White	W	-	3.1	3.6	10	1560	2180	-	CCT:8000-18000K			100
OSM5DK7YA1B	Warm White	M	-	3.1	3.6	10	1120	1560	-	CCT:2700-3200K			100
OSB5SA7YA1B	Blue	B	-	3.1	3.6	10	500	750	-	465	470	475	100
OSG5DA7YA1B	Pure Green	PG	-	3.1	3.6	10	1560	2180	-	520	525	530	100
OSY5PA7YA1B	Yellow	Y	-	2.1	2.6	10	750	1120	-	585	590	595	100
OSO5PA7YA1B	Orange	O	-	2.1	2.6	10	750	1120	-	600	605	610	100
OSR5PA7YA1B	Red	R	-	2.1	2.6	10	750	1120	-	620	625	630	100

\*1 Tolerance of measurements of dominant wavelength is ±1nm

\*2 Tolerance of measurements of chromaticity coordinate / CCT is ±10%

\*3 Tolerance of measurements of luminous intensity is ±15%

\*4 Tolerance of measurements of forward voltage is ±0.1V

### ■Directivity

