

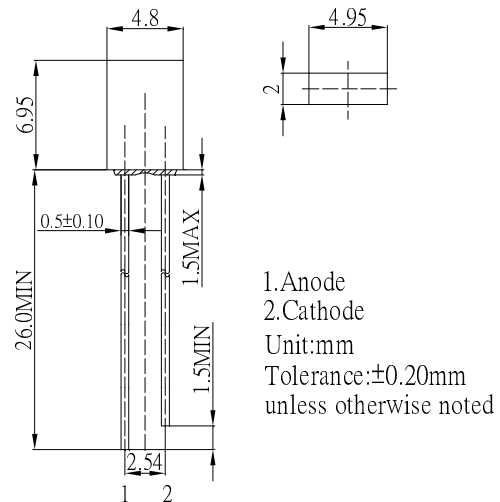
### ■Features

- High Luminous LEDs
- 2x5x7mm Rectangular Standard Directivity
- Long Lifetime Operation
- UV Resistant Epoxy
- Color Diffused / White Diffused

### ■Applications

- Games & Toys
- Indications
- Back Lighting
- Decorations

### ■Outline Dimension



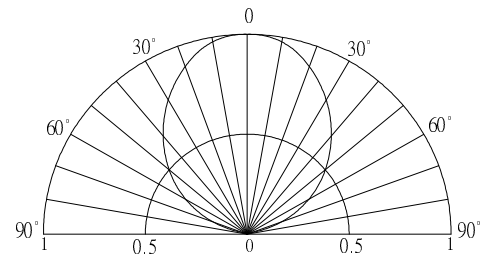
### ■Absolute Maximum Rating

(Ta=25°C)

Item	Symbo l	Value		Unit
		W/M/B/PG	YG/Y/O/R	
DC Forward Current	I <sub>F</sub>	25	30	mA
Pulse Forward Current#	I <sub>FP</sub>	80	100	mA
Reverse Voltage	V <sub>R</sub>	5	5	V
Power Dissipation	P <sub>D</sub>	90	78	mW
Operating Temperature	T <sub>opr</sub>	-40 ~ +85		°C
Storage Temperature	T <sub>stg</sub>	-40~ +85		°C
Lead Soldering Temperature	T <sub>sol</sub>	260°C/5sec		-

#Pulse width Max 0.1ms, Duty ratio max 1/10

### ■Directivity



### ■Electrical -Optical Characteristics

(Ta=25°C)

Part Number	Color		V <sub>F</sub> (V)*			I <sub>R</sub> (μA) Max.	I <sub>v</sub> (mcd)*			CCT/λD(nm)*			2θ1/2(deg) Typ.
			Min.	Typ.	Max.		Min.	Typ.	Max.	Min.	Typ.	Max.	
			I <sub>F</sub> =20mA			V <sub>R</sub> =5V			I <sub>F</sub> =20mA				
OSW5YK71A2B	White	W	-	3.1	3.6	10	750	1120	-	CCT:8000-18000K			100
OSM5YK71A2B	Warm White	M	-	3.1	3.6	10	500	750	-	CCT:2700-3200K			100
OSB5YU71A4B	Blue	B	-	3.1	3.6	10	150	220	-	465	470	475	100
OSG5TA71A4B	Pure Green	PG	-	3.1	3.6	10	500	750	-	520	525	530	100
OSG8HA71A4B	Yellow Green	YG	-	2.1	2.6	10	68	100	-	565	570	575	100
OSY5JA71A4B	Yellow	Y	-	2.1	2.6	10	150	220	-	585	590	595	100
OSO5JA71A4B	Orange	O	-	2.1	2.6	10	150	220	-	600	605	610	100
OSR5JA71A4B	Red	R	-	2.1	2.6	10	150	220	-	620	625	630	100

\*1 Tolerance of measurements of dominant wavelength is ±1nm

\*2 Tolerance of measurements of chromaticity coordinate / CCT is ±10%

\*3 Tolerance of measurements of luminous intensity is ±15%

\*4 Tolerance of measurements of forward voltage is±0.1V