

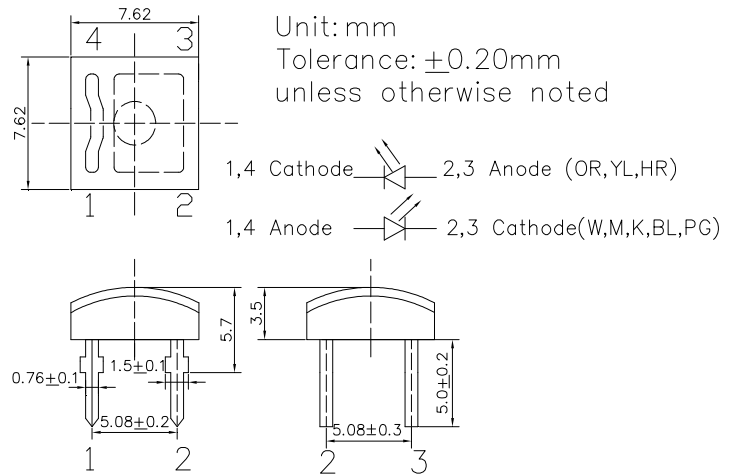
### ■Features

- High Luminous Super Flux Output
- Arc Standard Directivity
- Long Lifetime Operation
- UV Resistant Epoxy
- Water Clear Type

### ■Applications

- Automotive tail, stop, turn signal lamps and interior lighting
- Signage and channel letter
- Decoration and entertainment lighting
- Architectural lighting / Other Lighting

### ■Outline Dimension

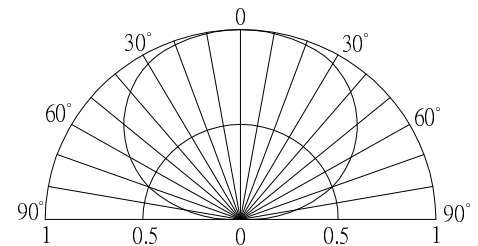


### ■Absolute Maximum Rating

(Ta=25°C)

Item	Sym bol	Value		Unit
		W/M/K/B/PG	Y/O/R	
DC Forward Current	I <sub>F</sub>	50	50	mA
Pulse Forward Current#	I <sub>FP</sub>	100	100	mA
Reverse Voltage	V <sub>R</sub>	5	5	V
Power Dissipation	P <sub>D</sub>	180	130	mW
Operating Temperature	Topr	-30 ~ +85		°C
Storage Temperature	Tstg	-40 ~ +100		°C
Lead Soldering Temperature	Tsol	260°C/5sec		-

### ■Directivity



#Pulse width Max.10ms Duty ratio max 1/10

### ■Electrical -Optical Characteristics

(Ta=25°C)

Part Number	Color		V <sub>F</sub> (V)			I <sub>R</sub> (μA)	I <sub>v</sub> (mcd)			λ <sub>D</sub> (nm)			2θ1/2(deg)
			Min.	Typ.	Max.		Max.	Min.	Typ.	Max.	Min.	Typ.	
			I <sub>F</sub> =30MA(W/M/K/B/PG)/I <sub>F</sub> =50MA(Y/O/R)					V <sub>R</sub> =5V	I <sub>F</sub> =30MA(W/M/K/B/PG) / I <sub>F</sub> =50MA(Y/O/R)				
OSW54LZ4E1D	White	W5	-	3.1	3.6	10	1870	2400	-	X=0.27, Y=0.28(CCT:8500-18000K)			140
OSM54LZ4E1D	Warm White	M5	-	3.1	3.6	10	900	1400	-	X=0.45, Y=0.41(CCT:2700-3300K)			140
OSK54LZ4E1D	Pink	K5	-	3.1	3.6	10	260	400	-	X=0.45, Y=0.17			140
OSB56LZ4E1D	Blue	B5	-	3.1	3.6	10	500	750	-	465	460	475	140
OSG58AZ4E1D	Pure Green	G5	-	3.1	3.6	10	3000	4000	-	520	525	530	140
OSY5PAZ4E1D	Yellow	Y5	-	2.2	2.6	10	750	1200	-	585	590	595	140
OSO5PAZ4E1D	Orange	O5	-	2.2	2.6	10	750	1200	-	600	605	610	140
OSR5PAZ4E1D	Red	R5	-	2.2	2.6	10	750	1200	-	620	625	630	140

\*1 Tolerance of measurements of chromaticity coordinates is ±10%

\*2 Tolerance of measurements of dominant wavelength is ±1nm

\*3 Tolerance of measurements of luminous intensity is ±15%

\*4 Tolerance of measurements of forward voltage is ±0.1V