

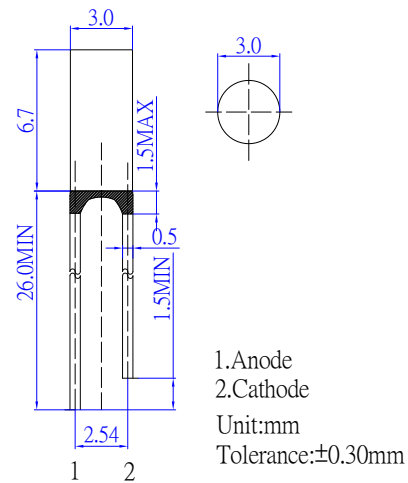
### ■Features

- High Luminous LED
- 3mm Standard Directivity
- Long Lifetime Operation
- Superior UV Resistance
- Color Diffused / White Diffused (W, M only)

### ■Applications

- General Purpose Indicators
- Decorations
- Back Lighting
- General Use

### ■Outline Dimension



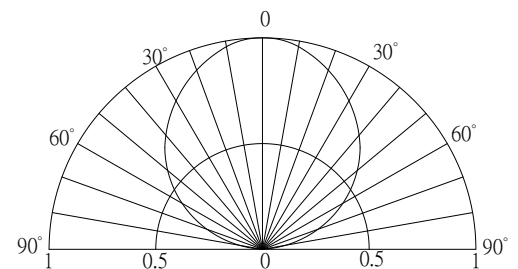
### ■Absolute Maximum Rating

(Ta=25°C)

Item	Symbo l	Value		Unit
		W/M/B/PG	YG/Y/O/R	
DC Forward Current	I <sub>F</sub>	30	30	mA
Pulse Forward Current#	I <sub>FP</sub>	100	100	mA
Reverse Voltage	V <sub>R</sub>	5	5	V
Power Dissipation	P <sub>D</sub>	102	78	mW
Operating Temperature	Topr	-30 ~ +85		°C
Storage Temperature	Tstg	-40 ~ +100		°C
Lead Soldering Temperature	Tsol	260°C/5sec		-

#Pulse width Max 0.1ms, Duty ratio max 1/10

### ■Directivity



### ■Electrical -Optical Characteristics

(Ta=25°C)

Part Number	Emitting Color		V <sub>F</sub> (V)*			I <sub>R</sub> (μA)	I <sub>v</sub> (mcd)*			λD (nm)*			2θ1/2(deg)
			Min.	Typ.	Max.		Max.	Min.	Typ.	Max.	Min.	Typ.	
			I <sub>F</sub> =20mA			V <sub>R</sub> =5V		I <sub>F</sub> =20mA					
OSW5YK39B2B	Cool White	W	-	2.9	3.4	10	750	1120	-	CCT:8000-18000K			110
OSM5YK39B2B	Warm White	M	-	2.9	3.4	10	500	750	-	CCT:2700-3200K			110
OSB4YU39B4B	Blue	B	-	2.9	3.4	10	150	220	-	455	460	465	110
OSG5TA39B4B	Pure Green	PG	-	2.9	3.4	10	500	750	-	520	525	530	110
OSG8HA39B4B	Yellow Green	YG	-	2.1	2.6	10	68	100	-	565	570	575	110
OSY5JA39B4B	Yellow	Y	-	2.1	2.6	10	100	150	-	585	590	595	110
OSO5JA39B4B	Orange	O	-	2.1	2.6	10	150	220	-	600	605	610	110
OSR5JA39B4B	Red	R	-	2.1	2.6	10	100	150	-	620	625	630	110

\*1 Tolerance of measurements of dominant wavelength is +1nm

\*2 Tolerance of measurements of chromaticity coordinate is ±10%

\*3 Tolerance of measurements of luminous intensity is ±15%

\*4 Tolerance of measurements of forward voltage is ±0.1V